



DLF1095-A / DLH1095-A V3
10.4" TFT LCD, LED Backlight 1300nits, XGA

The DLF/DLH1095-A is a 10.4 inch industrial grade sunlight readable LCD, with high brightness 1300 nits and high color saturation, it produce sharp images, crisp text and lifelike colors. The Durapixel LED backlight technology ensures high reliability and low power consumption, suitable for outdoor application, kiosk, factory automation, military, transportation and gaming application.

Key Features

- High Brightness 1300 nits
- Sunlight Readable
- LED Backlight
- Low Power Consumption
- Slim Bezel
- BL MTBF: 100,000 hours



Specifications

Model Name	DLF1095-A / DLH1095-A V3
Description	10.4" TFT LCD, LED Backlight 1300 nits, XGA
Screen Size	10.4"
Display Area (mm)	210.4(H) x 157.8(V)
Brightness	1300 cd/m ²
Resolution	1024x768
Aspect Ratio	4 : 3
Contrast Ratio	2600 : 1
Pixel Pitch (mm)	0.2055(H) x 0.2055(V)
Pixel Per Inch (PPI)	123
Viewing Angle	178°(H),178°(V)
Color Saturation (NTSC)	70%
Display Colors	16.2M
Response Time (Typical)	30ms
Panel Interface	VLVDS
AD Board Input Interface	VGA, DVI-D, HDMI
AD Board Input Power	DC12V
Power Consumption	8.4W, (11.4W with AD Board)
OSD Key	4 Keys (Power Switch, Menu, +, -)
OSD Control	Brightness, Color, Contrast, Auto Turing, H/V Position...etc
Dimensions (mm)	238.6 x 173.2 x 7.1
Bezel Size(U/B/L/R)	5.39/6/12.4/10.8 mm
Weight (Net)	360g
Operating Temperature	-30 °C ~ 80 °C
Storage Temperature	-30 °C ~ 80 °C

DLF= Panel+ LED Driving Board

DLH= Panel+ LED Driving Board + AD Control Board

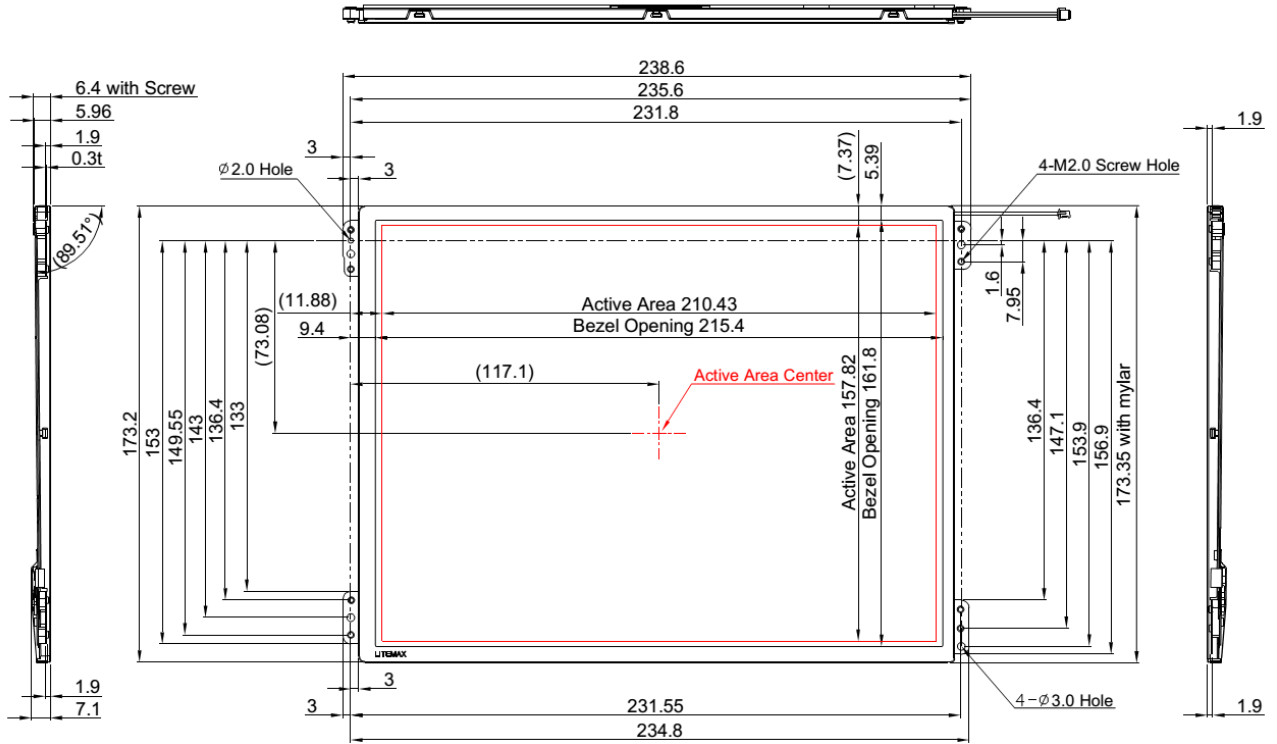
Specifications are subject to change without notice.
 All brands or product names are trademarks or registered trademarks of their respective companies.

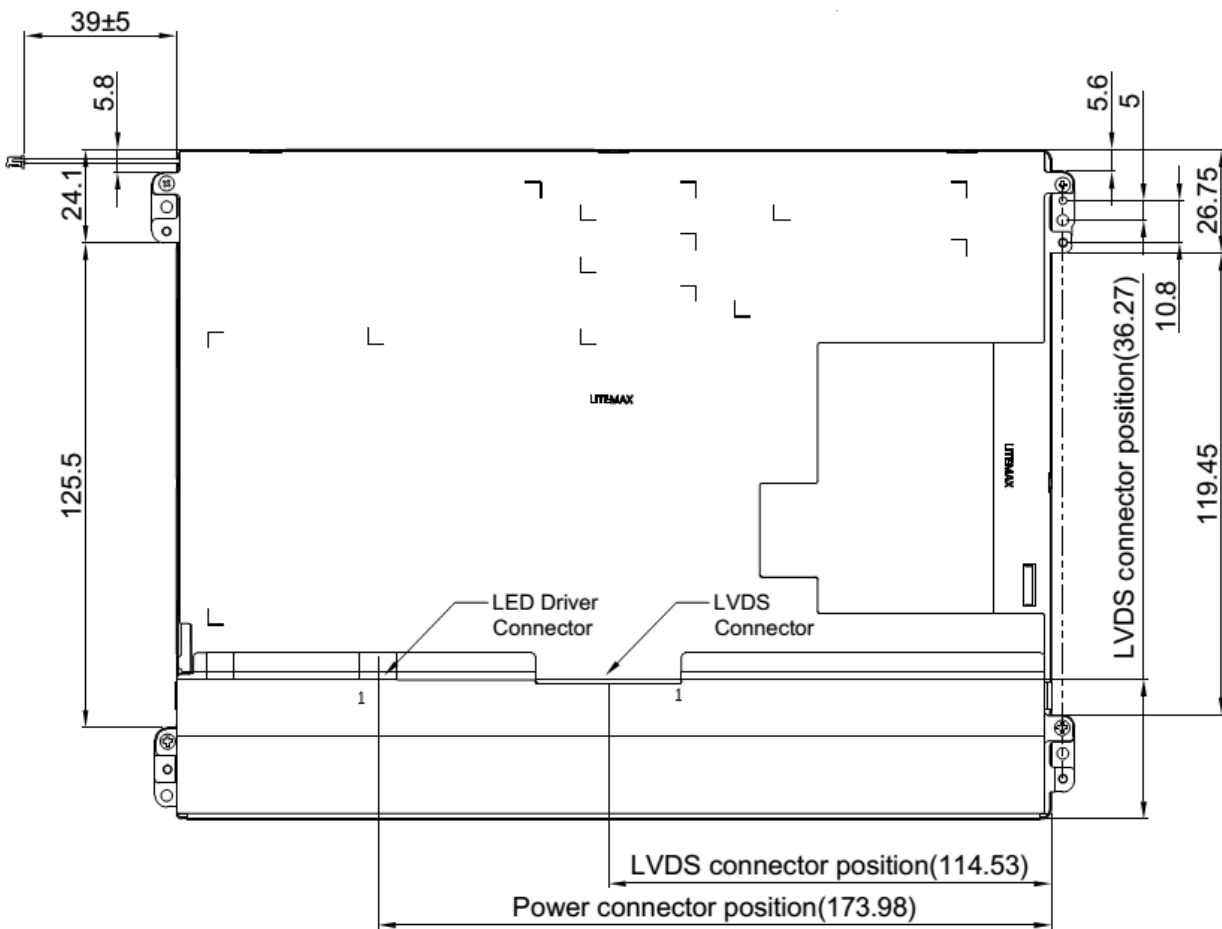
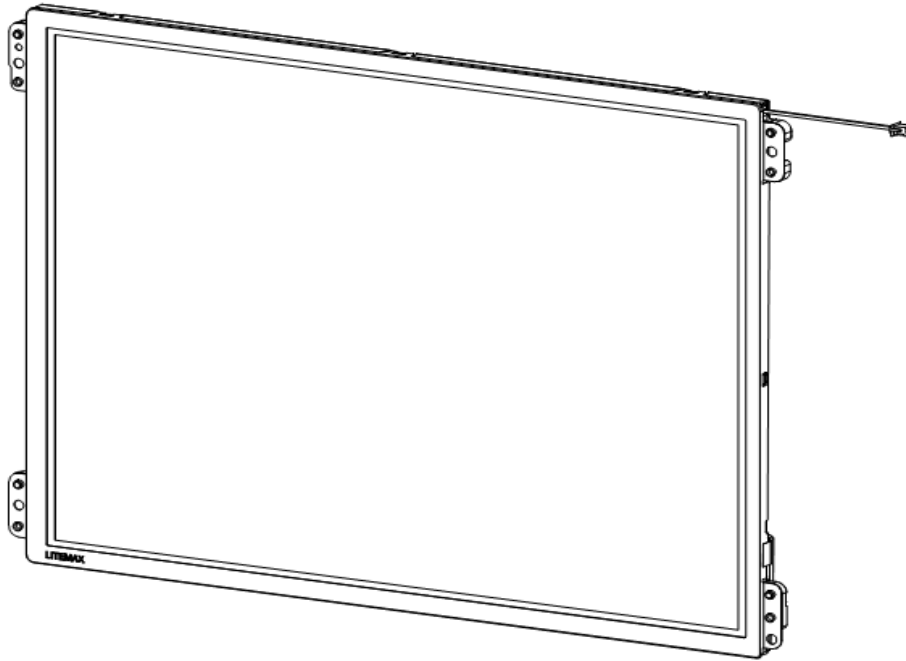


Mechanical Drawing

Outline Dimensions

Unit: mm







Ordering Information

Part Number	Description
DLF1095-ANN-A21	10.4",1300nits,XGA,LID10A.5in1,V03
DLF1095-ANN-A22	10.4",1300nits,XGA,LID10B.5in1,V03
DLH1095-ANN-G21	10.4",1300nits,XGA,LID10A.AD2662GD,DC12V,5in1,V03

Optional Accessories

Part Number	Description
810618301010	CABLE.POWER.AC.1830mm USA type
810618301090	CABLE,POWER,AC,1830mm Europe type
810618301050	CABLE.POWER.AC.1830mm UK type
810618301170	CABLE.POWER,AC,1830mm Australia type
810618301031	CABLE.POWER.AC.1830mm Japan type

By Customer Request

Touch	PCT (Multi-Touch)
Glass	Tempered glass, AR coating.....