



## DLF4309-ANU / DLH4309-ANU V1 43" TFT LCD, LED Backlight 1800nits, UHD(3840x2160)

The DLF/DLH4309-ANU is a 43 inch industrial grade sunlight readable LCD, with high brightness 1800 nits and high color saturation, it produce sharp images, crisp text and lifelike colors. The Durapixel LED backlight technology ensures high reliability and low power consumption, suitable for outdoor application, kiosk, factory automation, military, transportation and gaming application.

### Key Features

- High Brightness 1800 nits
- Sunlight Readable
- LED Backlight
- Low Power Consumption
- Slim Bezel
- BL MTBF: 100,000 hours



### Specifications

<b>Model Name</b>	<b>DLF4309-ANU / DLH4309-ANU V1</b>
<b>Description</b>	43" TFT LCD, LED Backlight 1800 nits, UHD (3840x2160)
<b>Screen Size</b>	43"
<b>Display Area (mm)</b>	941.184(H) x 529.416(V)
<b>Brightness</b>	1800 cd/m <sup>2</sup>
<b>Resolution</b>	3840x2160
<b>Aspect Ratio</b>	16 : 9
<b>Contrast Ratio</b>	3900 : 1
<b>Pixel Pitch (mm)</b>	0.49005(H) x 0.49005(V)
<b>Pixel Pre Inch (PPI)</b>	102
<b>Viewing Angle</b>	178°(H),178°(V)
<b>Color Saturation (NTSC)</b>	80%
<b>Display Colors</b>	1.07G
<b>Response Time (Typical)</b>	8ms
<b>Panel Interface</b>	V-by-One
<b>AD Board Input Interface</b>	VGA, DVI-D, HDMI, DP
<b>AD Board Input Power</b>	DC12V (DC24V optional)
<b>Power Consumption</b>	177W, (182W with AD Board)
<b>OSD Key</b>	5 Keys (Power Switch, Menu, +, Exit, -)
<b>OSD Control</b>	Brightness, Color, Contrast, Auto Turing, H/V Position...etc
<b>Dimensions (mm)</b>	968.2 x 556.4 x 44.8
<b>Bezel Size(U/B/L/R)</b>	11.5/11.5/11.6/11.6 mm
<b>Weight (Net)</b>	11kg
<b>Operating Temperature</b>	0 °C ~ 50 °C
<b>Storage Temperature</b>	-20 °C ~ 60 °C

DLF= Panel + LED Driving Board

DLH= Panel + LED Driving Board + AD Control Board

*Specifications are subject to change without notice.*

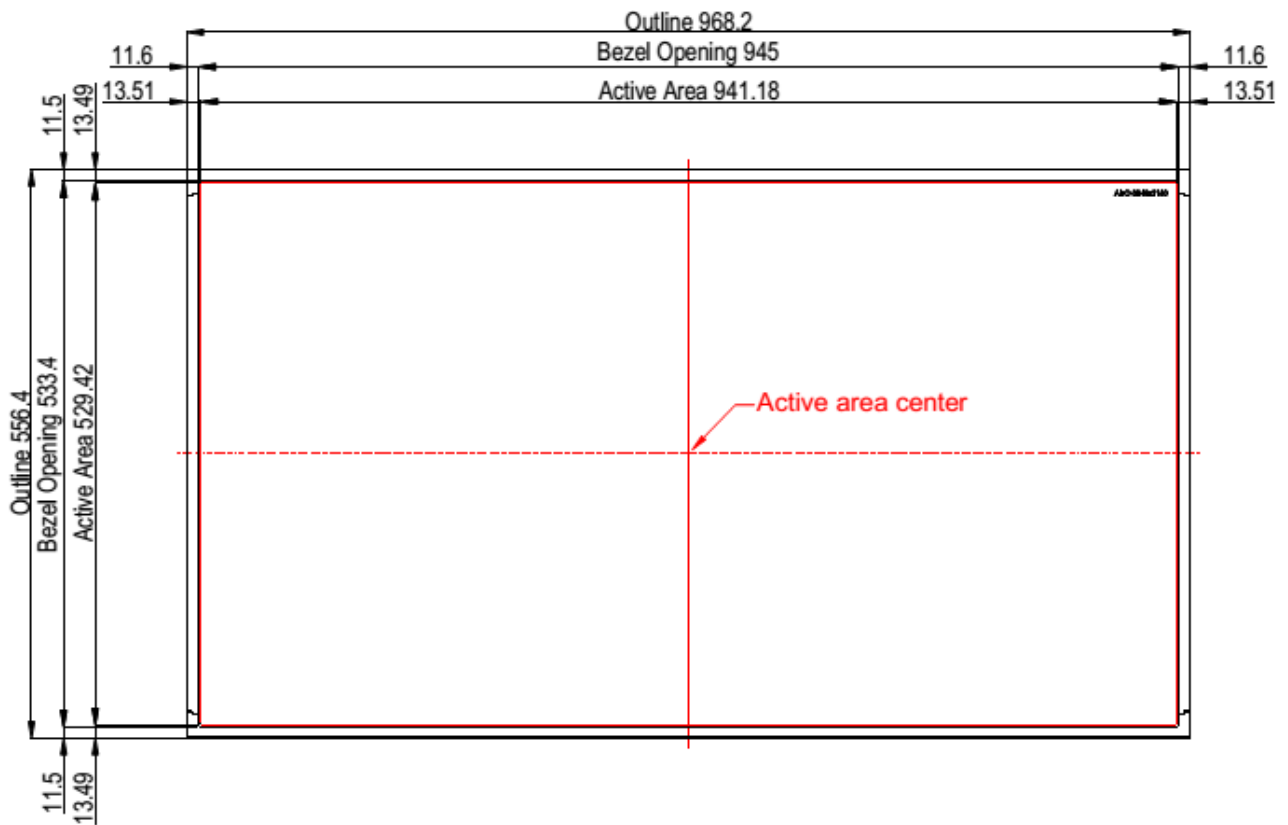
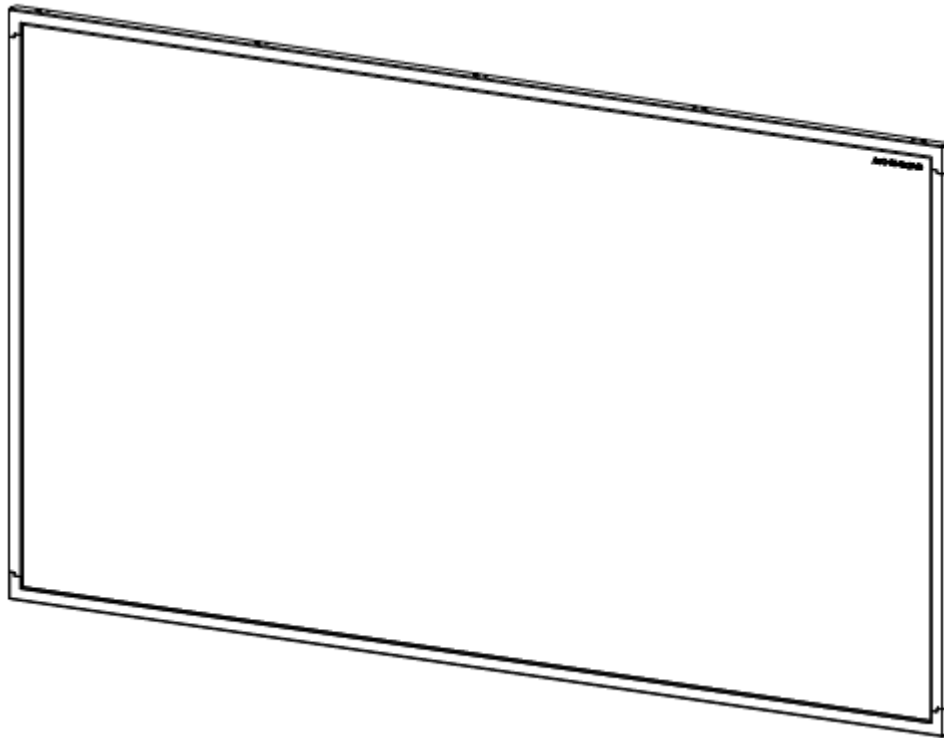
*All brands or product names are trademarks or registered trademarks of their respective companies.*

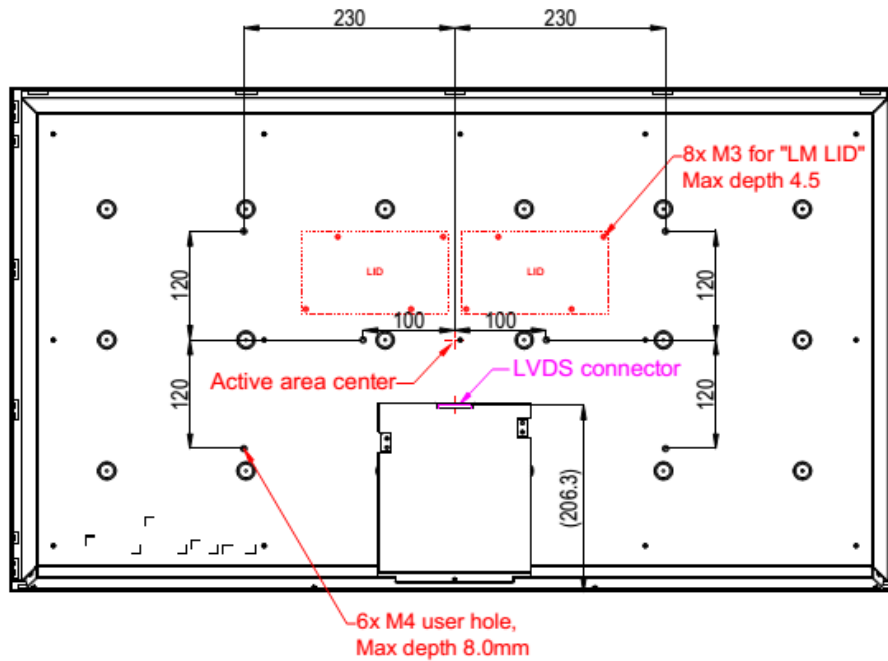
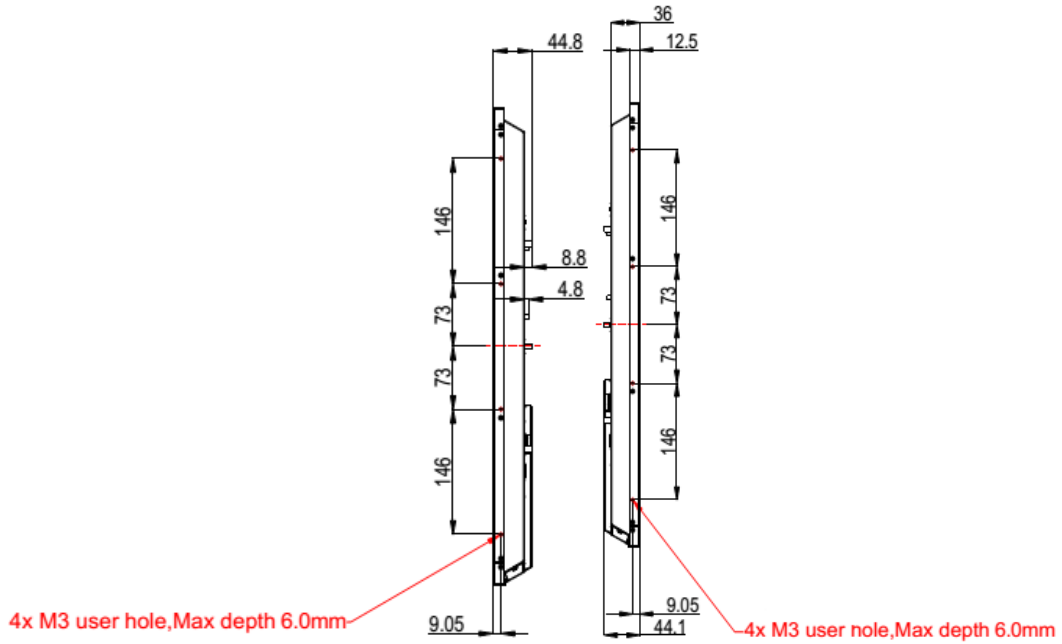
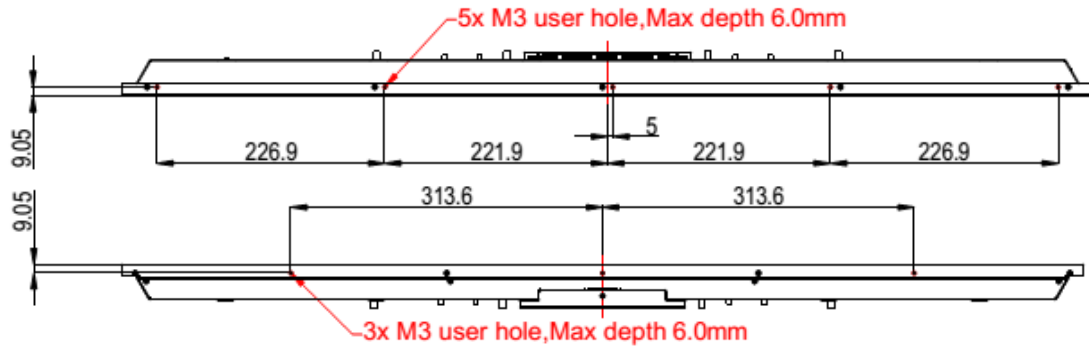


## Mechanical Drawing

### Outline Dimensions

Unit:mm





Note:  
 1.LCD connector: JAE FI-RTE51SZ-HF  
 2.Tolerance is  $\pm 1.0$ mm unless noted



### Ordering Information

Part Number	Description
<b>DLF4309-ANU-A01</b>	43",1800nits,UHD,LID43A,3in1,V1
<b>DLH4309-ANU-M01</b>	43",1800nits,UHD,LID43A,AD9131GDHP,AC100~240V,3in1,V1

### Optional Accessories

Part Number	Description
<b>810618301010</b>	CABLE.POWER.AC.1830mm USA type
<b>810618301090</b>	CABLE,POWER,AC,1830mm Europe type
<b>810618301050</b>	CABLE.POWER.AC.1830mm UK type
<b>810618301170</b>	CABLE.POWER,AC,1830mm Australia type
<b>810618301031</b>	CABLE.POWER.AC.1830mm Japan type

### Customer request

<b>Touch</b>	PCT (Multi-Touch)
<b>Glass</b>	Tempered glass, AR coating.....