



DLF2706-A / DLH2706-A V1 **27" TFT LCD, LED Backlight 1200nits, FHD(1920x1080)**

The **DLF/DLH2706-A** is a 27 inch industrial grade sunlight readable LCD, with high brightness 1200 nits and high color saturation, it produce sharp images, crisp text and lifelike colors. The Durapixel LED backlight technology ensures high reliability and low power consumption, suitable for outdoor application, kiosk, factory automation, military, transportation and gaming application.

Key Features

- High Brightness 1200 nits
- Sunlight Readable
- LED Backlight
- Low Power Consumption
- Slim Bezel
- BL MTBF: 100,000 hours



Specifications

Model Name	DLF2706-A / DLH2706-A V1
Description	27" TFT LCD, LED Backlight 1200 nits, FHD (1920x1080)
Screen Size	27"
Display Area (mm)	597.6 (H) x 336.15(V)
Brightness	1200 cd/m ²
Resolution	1920x1080
Aspect Ratio	16 : 9
Contrast Ratio	3600 : 1
Pixel Pitch (mm)	0.311(H) x 0.311(V)
Pixel Per Inch (PPI)	81
Viewing Angle	178°(H),178°(V)
Color Saturation (NTSC)	81%
Display Colors	16.7M
Response Time (Typical)	12ms
Panel Interface	LVDS
AD Board Input Interface	VGA, DVI-D, DP
AD Board Input Power	DC12V
Power Consumption	57W, (62W with AD Board)
OSD Key	4 Keys (Power Switch, Menu, +, -)
OSD Control	Brightness, Color, Contrast, Auto Turing, H/V Position...etc
Dimensions (mm)	622 x 360.5 x 13.7
Bezel Size(U/B/L/R)	10/10/10/10 mm
Weight (Net)	2.8kg
Operating Temperature	0 °C ~ 50 °C
Storage Temperature	-20 °C ~ 60 °C

DLF= Panel+ LED Driving Board

DLH= Panel+ LED Driving Board + AD Control Board

Specifications are subject to change without notice.

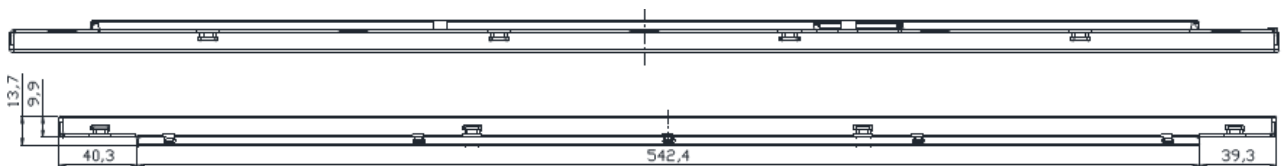
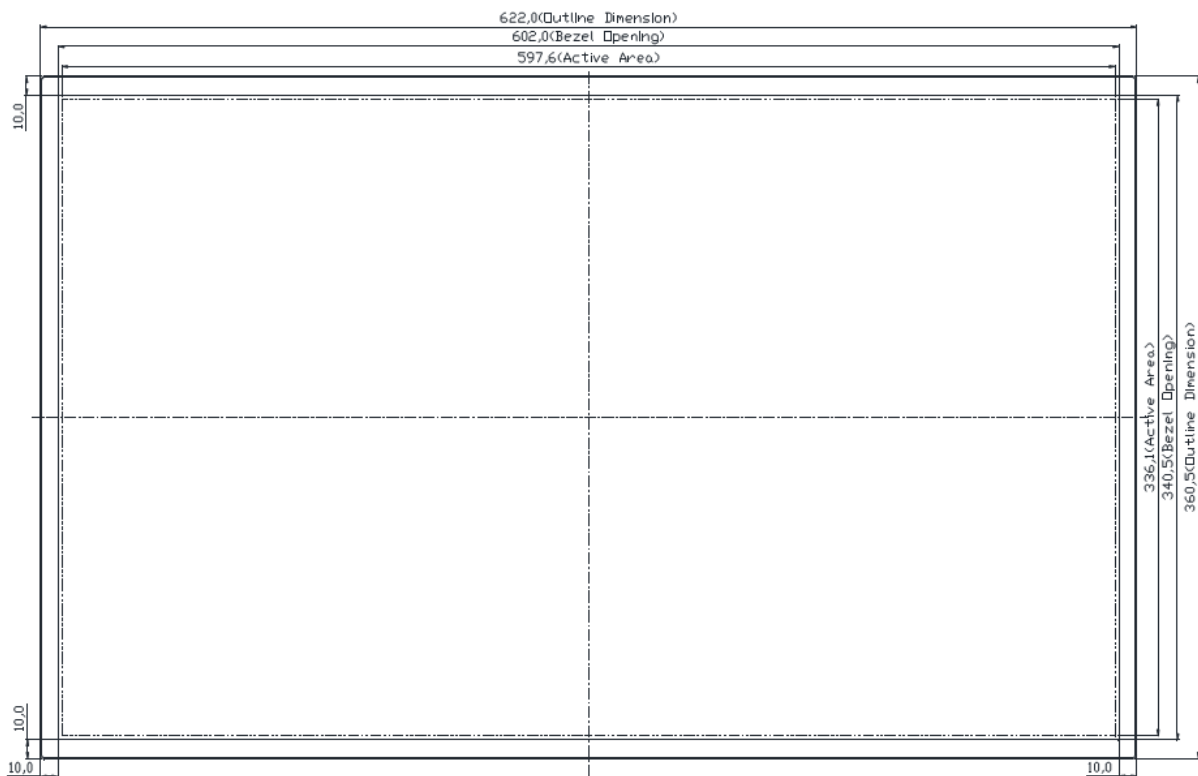
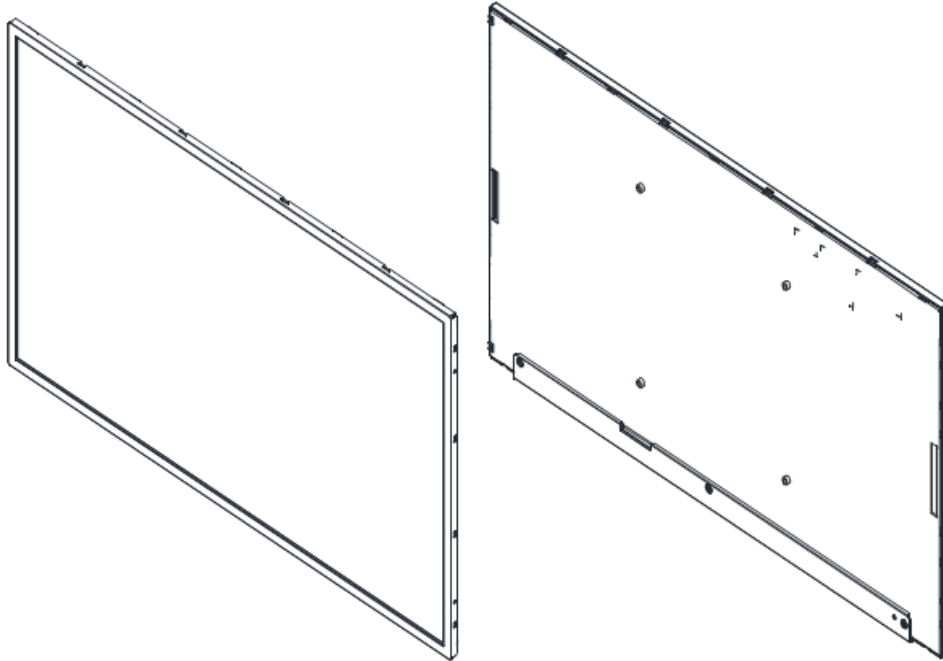
All brands or product names are trademarks or registered trademarks of their respective companies.

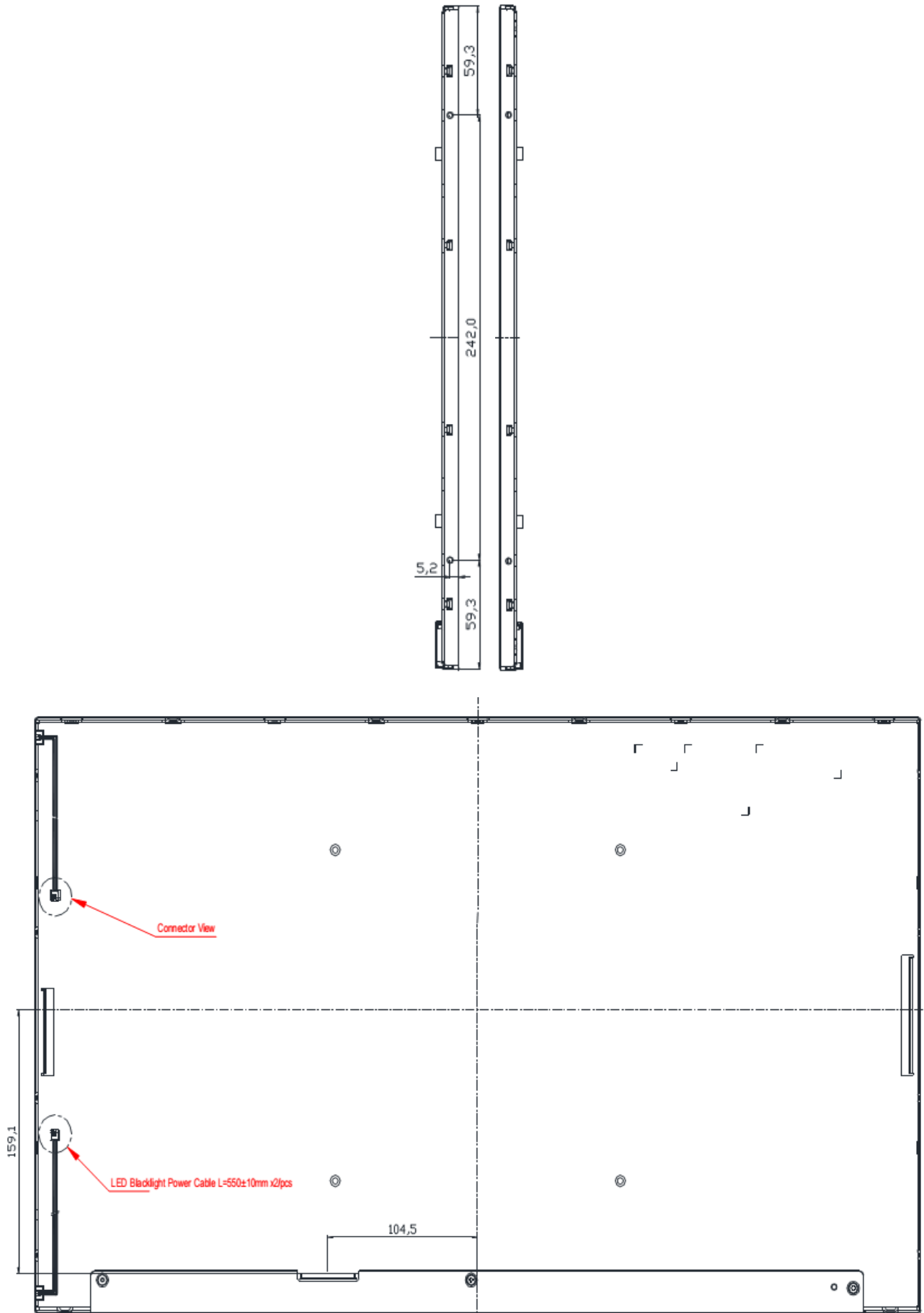


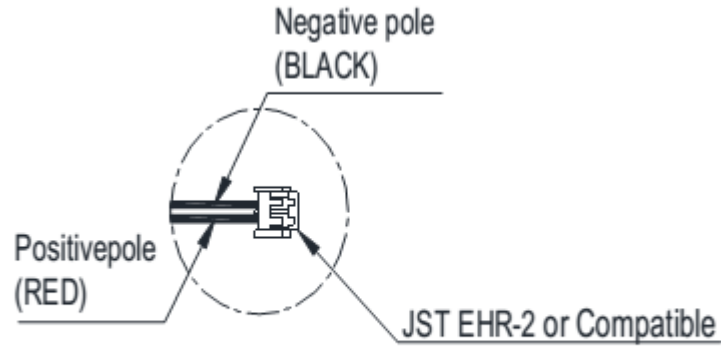
Mechanical Drawing

Outline Dimensions

Unit: mm







Connector View

Note :

1. THE DIMENSION EXCLUDES DEFORMATION.
2. MODULE THICKNESS TO BE MAX.13.5mm(With Dirver Cover)
3. I/F CONNECTOR TO BE JAE FI-X30HL OR COMPATIBLE
4. M3 USER HOLE SCREW TORQUE 5.0 kgf- cm MAX.

Ordering Information

Part Number	Description
DLF2706-ANN-A01	27",1200nits,FHD,LID27A,5in1,V1
DLH2706-ANN-I01	27",1200nits,FHD,LID27A,AD6038GDP,DC12V,5in1,V1

Optional Accessories

Part Number	Description
840612111201	ADAPTER.12V.10A.120W.G99-CAD120F-N002.POWER DIN,P
810618301010	CABLE.POWER.AC.1830mm USA type
810618301090	CABLE,POWER,AC,1830mm Europe type
810618301050	CABLE.POWER.AC.1830mm UK type
810618301170	CABLE.POWER,AC,1830mm Australia type
810618301031	CABLE.POWER.AC.1830mm Japan type

By Customer Request

Touch	PCT (Multi-Touch)
Glass	Tempered glass, AR coating.....