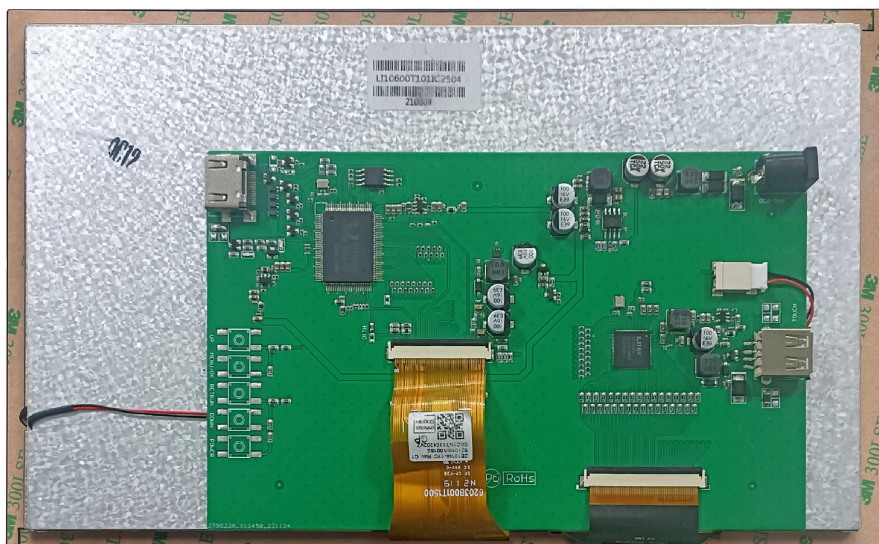


HDW101_001LZ01

**10.1 Inch, 1024*RGB*600, 16.7M Colors,
IPS screen, Capacitive touch, HDMI interface display**



Note: The physical picture is a left and right flip picture.

● Display

Item	Parameter	Description
Color	16.7M(16777216)colors	24 bit color 8R8G8B
Panel Type	IPS	IPS TFT LCM ,wide viewing angle
Viewing Angle	85/85/85/85(L/R/U/D)	Best View: symmetrical
Active Area (A.A.)	222.70(W)*125.30(H)	1024*600
Resolution	1024*600	-
Backlight	LED	≥20000H(Continuous working with maximum brightness, time of the brightness decays to 50%)
Brightness	200nit	-

Note: Displaying of high-contrast still images for more than 30 minutes may result in residual images. Please add animation to avoid this problem.

● Voltage & Current

Item	Conditions	Min	Typ	Max	Unit
Power Voltage	-	6	12	36	V
Operating Current	VCC=12V	-	330	-	mA

● Reliability Test

Item	Conditions	Min	Typ	Max	Unit
Working Temperature	60%RH at 12V voltage	-20	25	70	℃
Storage Temperature	-	-30	25	80	℃
Working Humidity	25℃	10%	60%	90%	RH
ESD	Air discharge: ± 8KV				

● Interface

Item	Conditions	Min	Typ	Max	Unit
Socket	6-36V power interface, HDMI interface				
USB Interface	Yes				
SD Card Slot	None				

● Peripheral

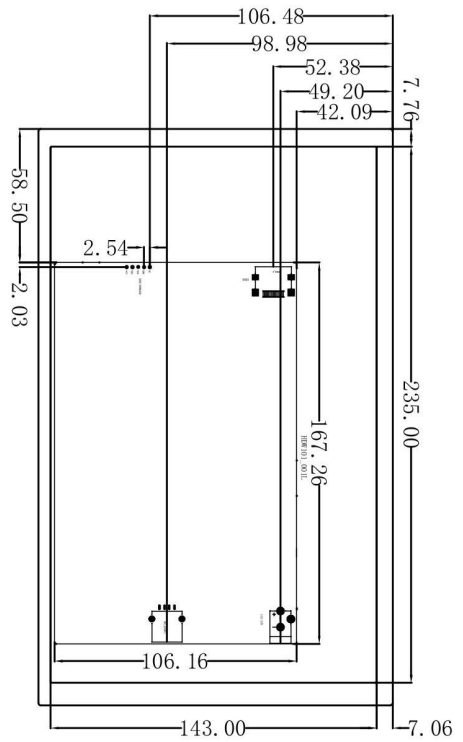
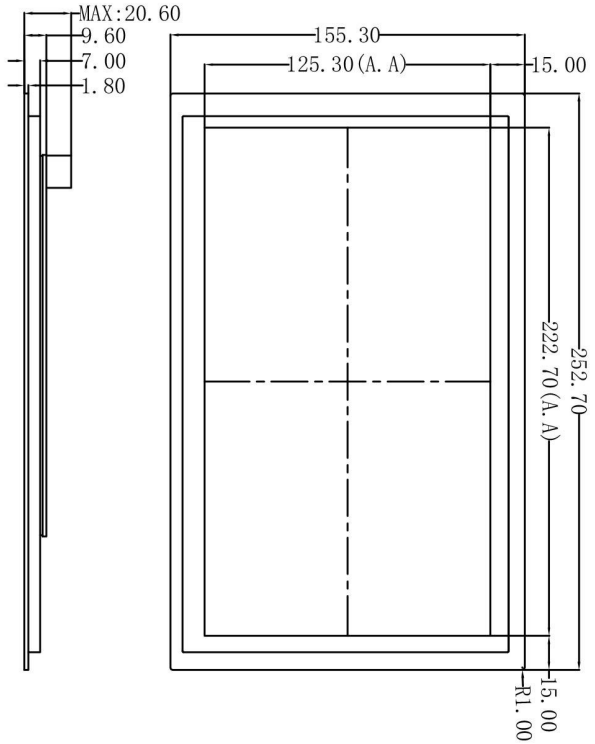
Peripheral	Capacitive touch panel
------------	------------------------

● Packing Capacity & Dimension

Dimension	
Dimension	252.70(W)*155.30(H)*20.60(T)mm
Net Weight	457g

Disclaimer:

- 1, The product design is subject to alternation and improvement without prior notice.
- 2, There are multiple parallel raw materials coexisting to guarantee the stable supply.If customers have particular raw material preferences or requirements, please contact the sales personnel.



Name	Description	Name	Description
Pin1	TMS Data2+	Pin11	TMS Clock Shield
Pin2	TMS Data2 Shield	Pin12	TMS Clock-
Pin3	TMS Data2-	Pin13	CEC
Pin4	TMS Data1+	Pin14	HEC Data- (Optional, HDMI 1.4 with Ethernet)
Pin5	TMS Data1 Shield	Pin15	SCD (I2C Serial Clock for DDC)
Pin6	TMS Data1-	Pin16	SMA (I2C Serial Data Line for DDC)
Pin7	TMS Data0+	Pin17	DDC/CEC/HEC Ground
Pin8	TMS Data0 Shield	Pin18	+5V Power (max 50mA)
Pin9	TMS Data0-	Pin19	Hot Plug Detect (All versions) and HEC Data+ (Optional, HDMI 1.4 with Ethernet)
Pin10	TMS Clock+		

Pin Name	definition	Description
VCC	1	+5V
D-	2	Negative pole
D+	3	Positive pole
GND	4	GND

- 1. Location hole is used as position reference.
 - 2. Unmarked Tolerance is +/-0.3mm
- Active area is marked in Dash Lines

Model		HDW101_001LZ01			
Drawing	A 4	Drawn	G Y	Data	
Scale	1 : 1	Review		Data	
Unit	mm	Approval		Data	

Record of Revision

Ver.	Revise Date	Content	Editor
00	2023-06-01	First Edition	Kaya
01	2023-12-05	IC scheme change, update physical image	YML

Please contact us if you have any questions about the use of this document or our products, or if you would like to know the latest information about our products:

Customer service Tel: +86-400-018-9008

Customer service E-mail: dwinhmi@dwin.com.cn

Website: www.dwin-global.com

DWIN Developer Forum: <https://forums.dwin-global.com/index.php/forums>

Thank you all for continuous support of DWIN, and your approval is the driving force of our progress!

Important Disclaimer

DWIN reserves the right to make any changes to product designs without prior notice.

Customers should ensure strictly adhering to all the relevant standards and requirements during the product application process, including but not limited to functional safety, information security, and regulatory provisions.

DWIN shall not bear any joint and several liability for any consequences that may arise from customers' adoption of DWIN products. In particular, for risks that may lead to significant property losses, environmental hazards, personal injury, or even death, especially in high-risk application areas such as military applications, flammable and explosive places, and life-saving medical equipment, customers should independently assess the risks and take corresponding preventive and protective measures. DWIN shall not bear any relevant responsibility.