



RVT70HSMFWN00

## IPS MIPI 7.0" LCD TFT DATASHEET

Rev.1.2  
2021-02-23

ITEM	CONTENTS	UNIT
LCD Type	TFT/Transmissive/Normally Black/IPS	/
Size	7.0	Inch
Viewing Direction	Free	/
Outside Dimensions (W x H x D)	181.60 x 100.60 x 6.23	mm
Active Area (W x H)	154.21 x 85.92	mm
Pixel Pitch (W x H)	0.1506 x 0.1432	mm
Resolution	1024 (RGB) x 600	/
Brightness	1000	cd/m <sup>2</sup>
LCD Interface Type	MIPI	/
Color Depth	16.7 M	/
Pixel Arrangement	RGB Vertical Stripe	/
LCD Driver	EK79007AD3+EK73217BCGA	/
With/Without Touch	Without Touch Panel	/
Weight	180	g

**Note 1:** RoHS3 compliant**Note 2:** LCM weight tolerance:  $\pm 5\%$ .



## 1. REVISION RECORD

REV NO.	REV DATE	CONTENTS	REMARKS
1.0	2021-05-28	Initial Release	
1.1	2021-09-02	Updating New Template	
1.2	2023-02-23	Update the chapter of Initialization code. Delete <i>Generic_Short_Write_IP(0x87,0x5A);</i>  Add timing characteristic table	



**2. CONTENTS**

- 1. REVISION RECORD..... 2
- 2. CONTENTS..... 3
- 3. MODULE CLASSIFICATION INFORMATION..... 4
- 4. ASSEMBLY GUIDE..... 5
  - 4.1 Mounting frame..... 5
- 5. MODULE DRAWING..... 6
- 6. ABSOLUTE MAXIMUM RATINGS..... 7
- 7. ELECTRICAL CHARACTERISTICS ..... 7
- 8. BACKLIGHT ELECTRICAL CHARACTERISTICS..... 7
- 9. ELECTRO-OPTICAL CHARACTERISTICS..... 8
- 10. INTERFACE DESCRIPTION..... 10
  - 10.1 TFT assignment..... 10
- 11. TIMING CHARACTERISTICS ..... 12
  - 11.1 Input timing table..... 12
  - 11.2 Input timing diagram..... 13
  - 11.3 Low power transmitter AC characteristic..... 14
  - 11.4 High speed transmission ..... 15
  - 11.5 High speed clock transmission ..... 16
  - 11.6 High speed data transmission in bursts..... 16
- 12. INITIALIZATION CODE ..... 17
- 13. INSPECTION ..... 18
  - 13.1 Inspection condition..... 18
  - 13.2 Inspection standard..... 19
- 14. RELIABILITY TEST..... 20
- 15. LEGAL INFORMATION ..... 21



### 3. MODULE CLASSIFICATION INFORMATION

RV	T	70	H	S	M	F	W	N	00
1.	2.	3.	4.	5.	6.	7.	8.	9.	10.

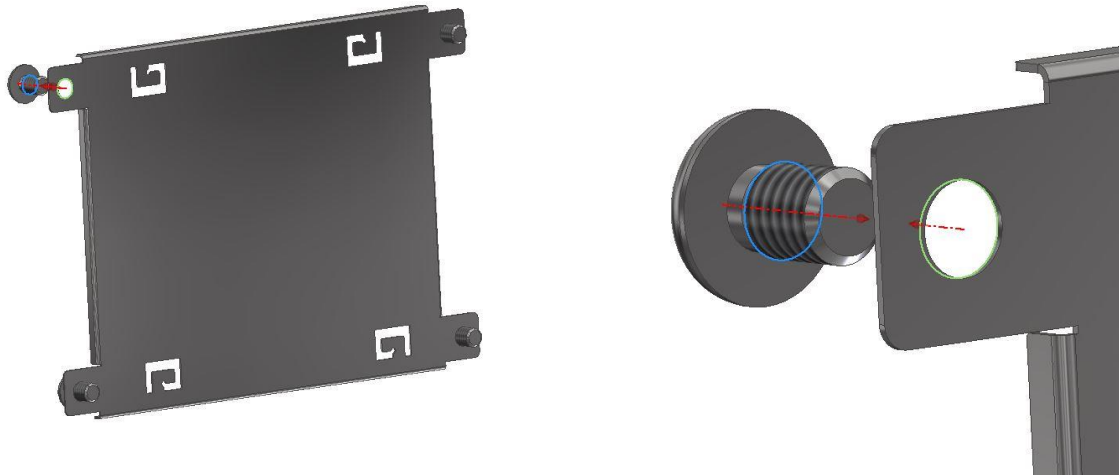
NO.	PARAMETER	SYMBOL
1.	BRAND	RV – Riverdi
2.	PRODUCT TYPE	T – TFT Standard
3.	DISPLAY SIZE	70 – 7.0”
4.	MODEL SERIAL NO.	H – High Brightness, IPS
5.	RESOLUTION	S – 1024 x 600 px
6.	INTERFACE	M – MIPI
7.	FRAME	F – With Mounting Metal Frame
8.	BACKLIGHT TYPE	W – LED White
9.	TOUCH PANEL	N – Without Touch Panel
10.	VERSION	00 – (00-99)

## 4. ASSEMBLY GUIDE

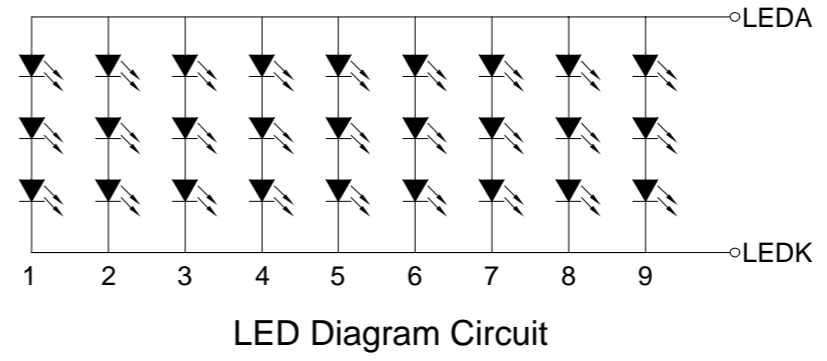
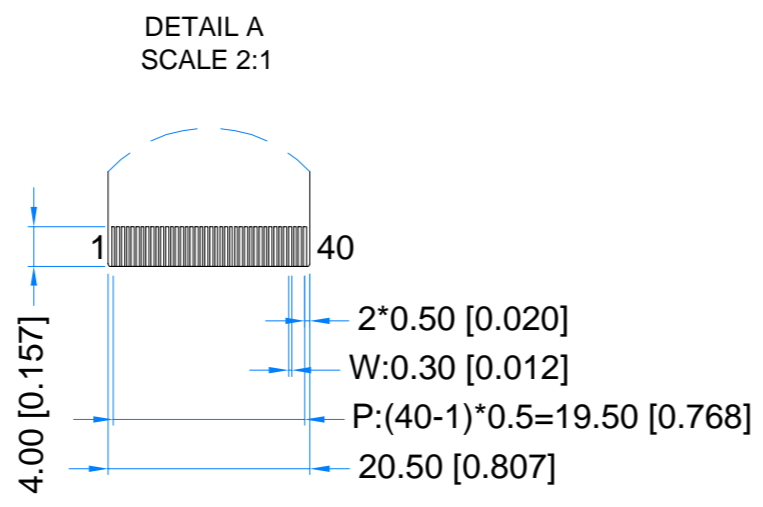
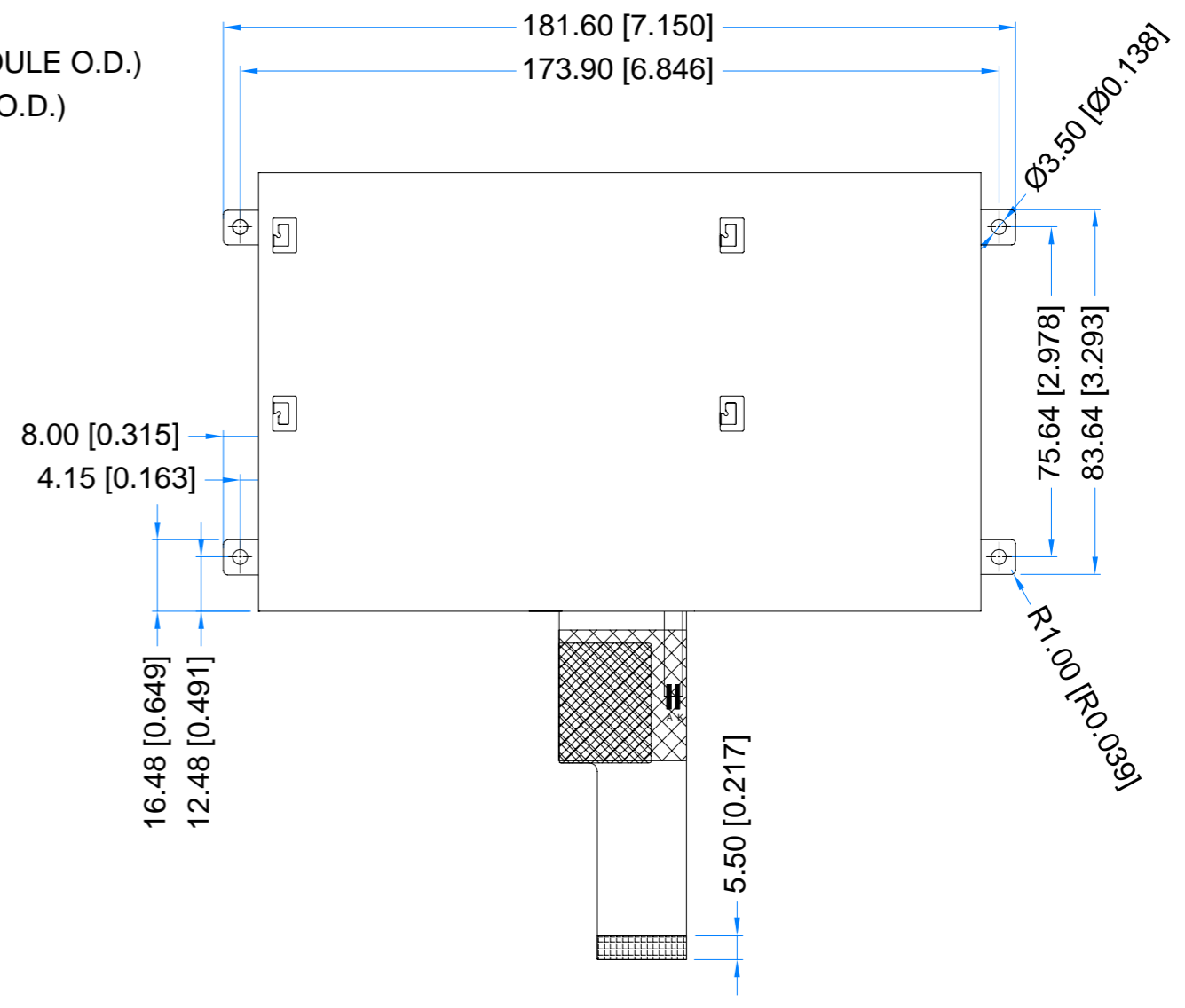
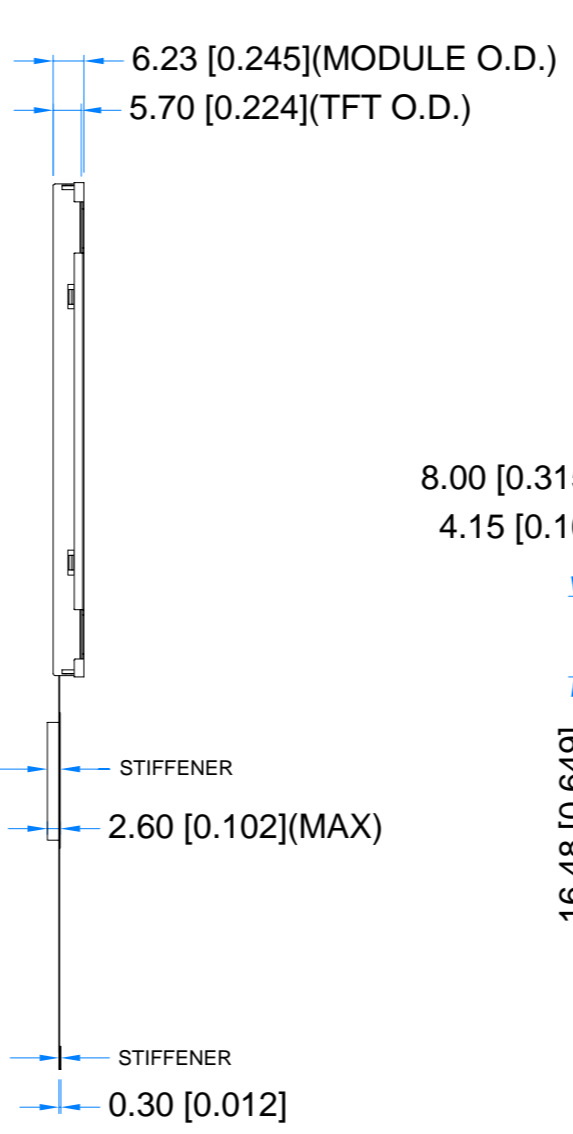
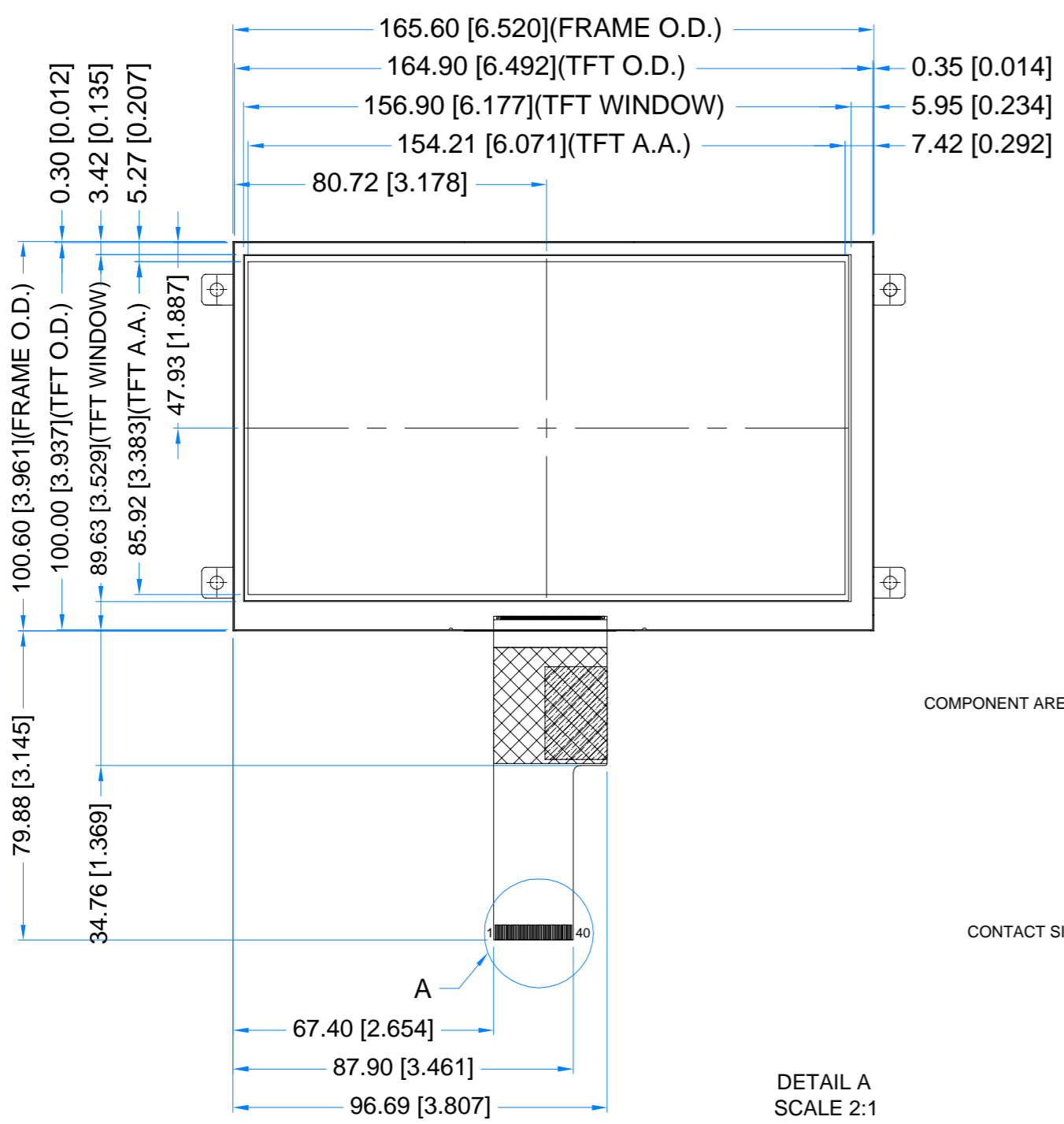
### 4.1 Mounting frame

For dimensions 3.5", 4.3", 5.0", 7.0" and 10.1" the product with mounting frame version is available. Thanks to the four catches attached to the side, frame provides strong assembly to the surface by mounting element (like the screw, see Figure 1). The frames are specially designed to fit Riverdi products perfectly. The diameter of the mounting hole is 3.5mm.

Figure 1. Mounting frame



Revision:	Changes:	Date:
1.0	Initial Case	2021.04.19



**TFT NOTES:**

- LCD TYPE: TRANSMISSIVE, NORMALLY BLACK, IPS
- RESOLUTION: 1024x600
- VIEWING ANGLE: FREE
- IC CONTROLLER: EK79007AD3+EK73217BCGA
- OPERATING VOLTAGE: 3.3V
- INTERFACE: MIPI
- BACKLIGHT: 27 LEDS WHITE, Vf = 9.6V, If = 270mA

**GENERAL NOTES:**

- MODULE SURFACE LUMINANCE: 1000 cd/m<sup>2</sup>
- MOUNTING METAL FRAME THICKNESS: 0.30 mm
- OPERATING TEMPERATURE: -20°C ~ 70°C
- STORAGE TEMPERATURE: -30°C ~ 80°C
- WITHOUT INDIVIDUAL TOLERANCE: ±0.3mm
- RoHS3 COMPLIANT

PN: RVT70HSMFWN00		
SN:		
DRAWN: M.Natywa	2021.04.19	1:1.54
CHECKED: Carol	2021.04.20	[mm]
APPR:	ISO A3	P. 1 of 1



## 6. ABSOLUTE MAXIMUM RATINGS

PARAMETER	SYMBOL	MIN	MAX	UNIT
Power for Circuit Driving	VDD	-0.3	+4.6	V
Operating Temperature	T <sub>OP</sub>	-20	70	°C
Storage Temperature	T <sub>ST</sub>	-30	80	°C
Storage Humidity (@ 25 ± 5°C)	H <sub>ST</sub>	10	-	% RH
Operating Ambient Humidity (@ 25 ± 5°C)	H <sub>OP</sub>	10	-	% RH

**Note.** The above are maximum values. If exceeded, they may cause permanent damage to the unit.

## 7. ELECTRICAL CHARACTERISTICS

PARAMETER	SYMBOL	MIN	TYP	MAX	UNIT
Supply Voltage for Module	VDD	2.6	3.3	3.6	V
Digital Power Current	IDD	-	30	45	mA
Logic Input Signal Voltage	VIH	0.7VDD	-	VDD	V
	VIL	0	-	0.3VDD	V

## 8. BACKLIGHT ELECTRICAL CHARACTERISTICS

PARAMETER	SYMBOL	MIN	TYP	MAX	UNIT
Backlight Driving Voltage	VF	9.0	9.6	10.2	V
Backlight Driving Current	IF	-	270	315	mA
Backlight Power Consumption	WBL	-	2592	-	mW
Lifetime	-	-	50,000	-	

**Note.** Operating life means the period in which the LED brightness goes down to 50% of the initial brightness. Typical operating lifetime is the estimated parameter.



## 9. ELECTRO-OPTICAL CHARACTERISTICS

Optical characteristics are determined after the unit has been 'ON' and stable for approximately 30 minutes in a dark environment at 25 °C. The values specified are at an approximate distance 500mm from the LCD surface at a viewing angle of  $\Phi$  and  $\theta$  equal to 0°.

ITEM	SYMBOL	CONDITION	MIN	TYP	MAX	UNIT	RMK	NOTE
Response Time	Tr+Tf	$\theta=0^\circ$ $\phi=0^\circ$ Ta=25 °C	-	35	-	ms	FIG 2.	4
Contrast Ratio	Cr		-	800	-	---	FIG 3.	1
Luminance Uniformity	$\delta$ WHITE		-	75	-	%	FIG 3.	3
Surface Luminance	Lv		-	1000	-	cd/m2	FIG 3.	2
Viewing Angle Range	$\theta$	$\phi = 90^\circ$	-	85	-	deg	FIG 4.	6
		$\phi = 270^\circ$	-	85	-	deg	FIG 4.	
		$\phi = 0^\circ$	-	85	-	deg	FIG 4.	
		$\phi = 180^\circ$	-	85	-	deg	FIG 4.	
CIE (x, y) Chromaticity	Rx	$\theta=0^\circ$ $\phi=0^\circ$ Ta=25 °C	0.578	0.618	0.658	-	FIG 3.	5
	Ry		0.489	0.329	0.369	-		
	Gx		0.376	0.416	0.456	-		
	Gy		0.493	0.533	0.573	-		
	Bx		0.071	0.111	0.151	-		
	By		0.108	0.148	0.188	-		
	Wx		0.270	0.310	0.350	-		
	Wy		0.290	0.330	0.370	-		

**Note 1.** Contrast Ratio (CR) is defined mathematically as below, for more information see Figure 3.

$$\text{Contrast Ratio} = \frac{\text{Average Surface Luminance with all white pixels (P1, P2, P3, P4, P5)}}{\text{Average Surface Luminance with all black pixels (P1, P2, P3, P4, P5)}}$$

**Note 2.** Surface luminance is the LCD surface from the surface with all pixels displaying white. For more information see Figure 3.

$$L_v = \text{Average Surface Luminance with all white pixels (P1, P2, P3, P4, P5)}$$

**Note 3.** The uniformity in surface luminance  $\delta$  WHITE is determined by measuring luminance at each test position 1 through 5, and then dividing the minimum luminance of 5 points luminance by maximum luminance of 5 points luminance. For more information see Figure 3.

$$\delta \text{ WHITE} = \frac{\text{Minimum Surface Luminance with all white pixels (P1, P2, P3, P4, P5)}}{\text{Maximum Surface Luminance with all white pixels (P1, P2, P3, P4, P5)}}$$

**Note 4.** Response time is the time required for the display to transition from white to black (Rise Time, Tr) and from black to white (Decay Time, Tf). For additional information see Figure 2. The test equipment is Autronic-Melchers's ConoScope series.

**Note 5.** CIE (x, y) chromaticity, the x, y value is determined by measuring luminance at each test position 1 through 5, and then make average value.



**Note 6.** Viewing angle is the angle at which the contrast ratio is greater than 2. For TFT module the contrast ratio is greater than 10. The angles are determined for the horizontal or x axis and the vertical or y axis with respect to the z axis which is normal to LCD surface. For more information see Figure 4.

**Note 7.** For viewing angle and response time testing, the testing data is based on Autronic-Melchers's ConoScope series. Instruments for Contrast Ratio, Surface Luminance, Luminance Uniformity, CIE the test data is based on TOPCON's BM-5 photo detector.

Figure 2. The definition of response time

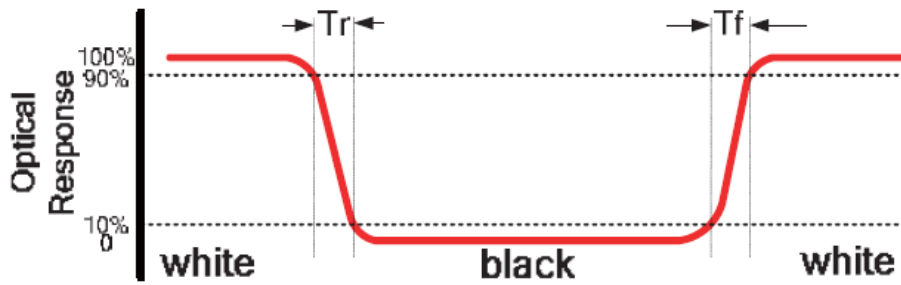
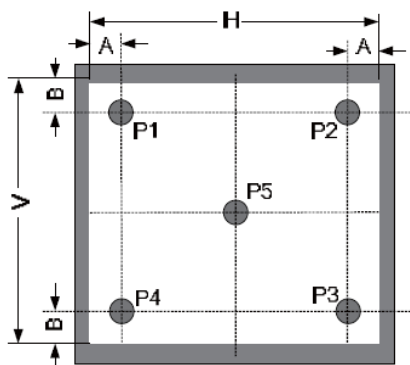
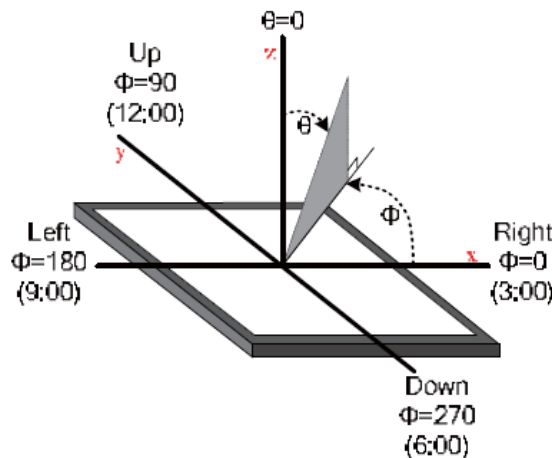


Figure 3. Measuring method for Contrast ratio, surface luminance, Luminance uniformity, CIE (x, y) chromaticity



- A: 5mm
- B: 5mm
- H, V: Active Area
- Light spot size  $\phi=5\text{mm}$ , 500mm distance from the LCD surface to detector lens.
- Measurement instrument is TOPCON'S luminance meter BM-5

Figure 4. The definition of viewing angle





## 10. INTERFACE DESCRIPTION

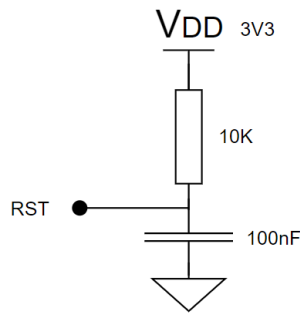
### 10.1 TFT assignment

PIN NO.	SYMBOL	I/O	DESCRIPTION	NOTE
1	NC	-	No connection	
2	VDD	P	Power supply 3.3V	
3	VDD	P	Power supply 3.3V	
4	NC	-	No connection	
5	RESET	I	Global reset pin. Active low to enter reset state.	NOTE 1
6	STBYB	I	Internally pull-up, STBYB=1, normal operation. STBYB=0, timing control, source driver will turn off	
7	GND	P	Ground	
8	D0N	I/O	Negative MIPI differential data input	
9	D0P	I/O	Positive MIPI differential data input	
10	GND	P	Ground	
11	D1N	I/O	Negative MIPI differential data input	
12	D1P	I/O	Positive MIPI differential data input	
13	GND	P	Ground	
14	D2N	I/O	Negative MIPI differential data input	
15	D2P	I/O	Positive MIPI differential data input	
16	GND	P	Ground	
17	DCLKN	I/O	Negative MIPI differential clock input	
18	DCLKP	I/O	Positive MIPI differential clock input	
19	GND	P	Ground	
20	D3N	I/O	Negative MIPI differential data input	
21	D3P	I/O	Positive MIPI differential data input	
22	GND	P	Ground	
23	NC	-	No connection	
24	NC	-	No connection	
25	GND	P	Ground	
26	NC	-	No connection	
27	NC	-	No connection	
28	NC	-	No connection	
29	NC	-	No connection	
30	GND	P	Ground	
31	LED-	P	LED Cathode	
32	LED-	P	LED Cathode	
33	L/R	I	Left/Right display control, internally pull-up	Note 2
34	U/D	I	Up/Down display control, internally pull down	
35	NC	-	No connection	
36	NC	-	No connection	
37	NC	-	No connection	
38	NC	-	No connection	
39	LED+	P	LED Anode	
40	LED+	P	LED Anode	

I: input, O: output, P: Power



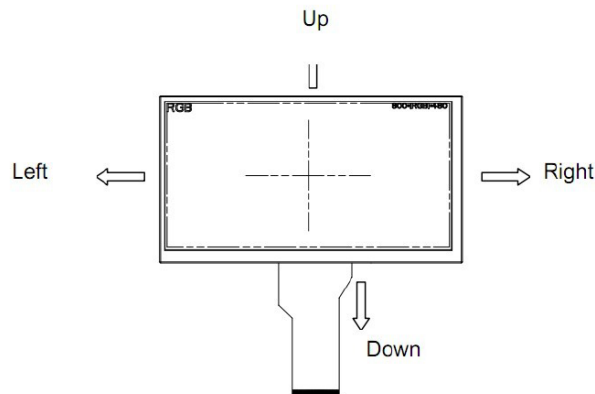
**Note 1:** Recommended Reset circuit:



**Note 2:** U/D (Pin 34) is internally pull-down, and R/L (Pin 33) is internally pull-up. The default scanning direction is up to down, left to right.

SETTING OF SCAN CONTROL INPUT		SCANNING DIRECTION
U/D	L/R	
GND	VDD	Up to down, left to right
VDD	GND	Down to up, right to left
GND	GND	Up to down, right to left
VDD	VDD	Down to up, left to right

Definition of scanning direction, refer to the figure as below:





## 11. TIMING CHARACTERISTICS

### 11.1 Input timing table

DE MODE

PARAMETER	SYMBOL	MIN	TYP	MAX	UNIT
DCLK frequency (Frame rate 60Hz)	fclk	40.8	51.2	67.2	MHz
Horizontal display area	thd	1024			DCLK
HSYNC period time	th	1114	1344	1400	DCLK
HSYNC blanking	thb+thfp	90	320	376	DCLK
Vertical display area	tvd	600			H
VSYNC period time	tv	610	635	800	H
VSYNC blanking	tvb+tvfp	10	85	200	H

HV MODE- Horizontal input timing

PARAMETER	SYMBOL	MIN	TYP	MAX	UNIT
Horizontal display area	thd	1024			DCLK
DCLK frequency (frame rate 60Hz)	fclk	44.9	51.2	63	MHz
1 Horizontal Line	th	1200	1344	1400	DCLK
HSYNC pulse width	thpw	1	70	140	DCLK
HSYNC blanking	thb	160	160	160	DCLK
HSYNC front porch	thfp	16	160	216	DCLK

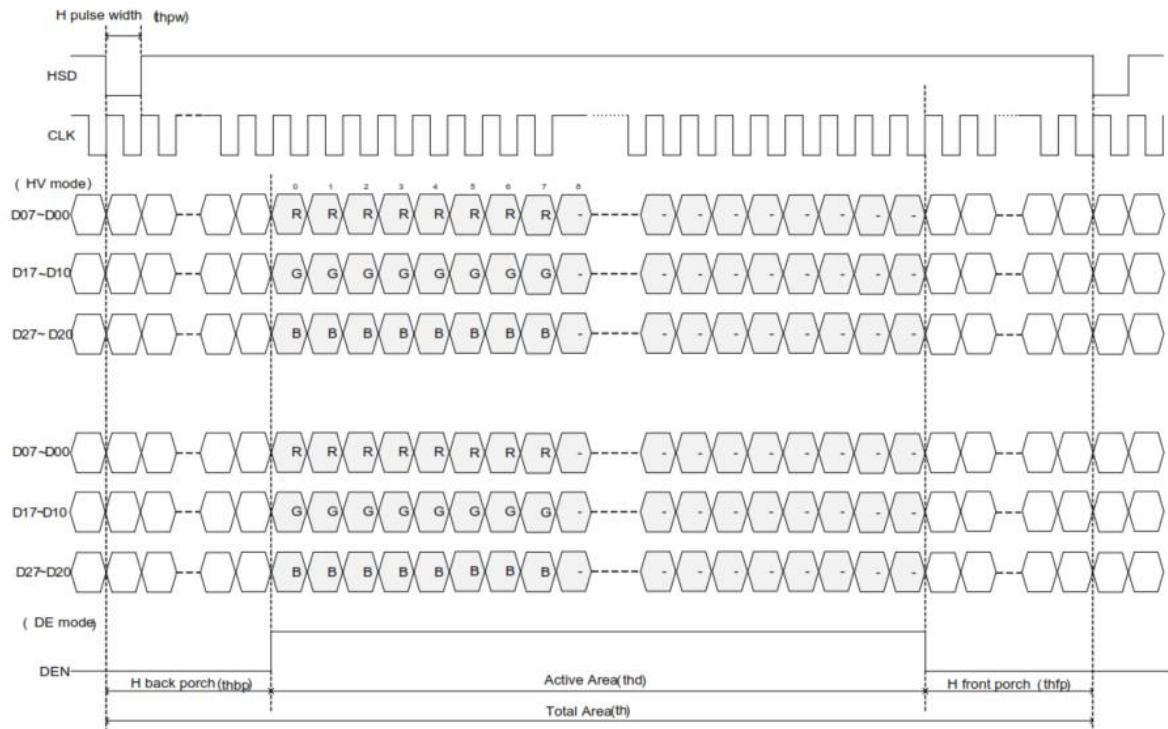
HV MODE -Vertical input timing

PARAMETER	SYMBOL	MIN	TYP	MAX	UNIT
Vertical display area	tvd	600			H
VSYNC period time	tv	624	635	750	H
VSYNC pulse width	tvpw	1	10	20	H
VSYNC back porch	tvb	23	23	23	H
VSYNC front porch	tvfp	1	12	127	H

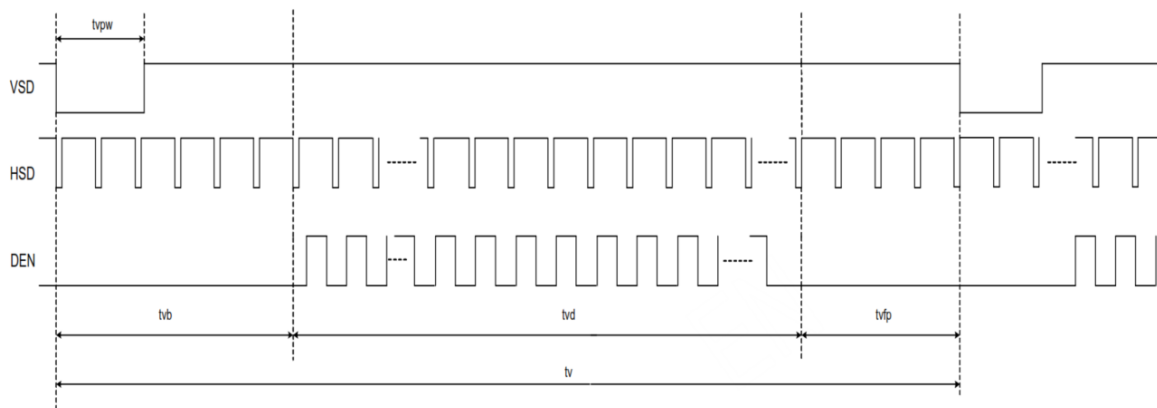


## 11.2 Input timing diagram

Horizontal input timing



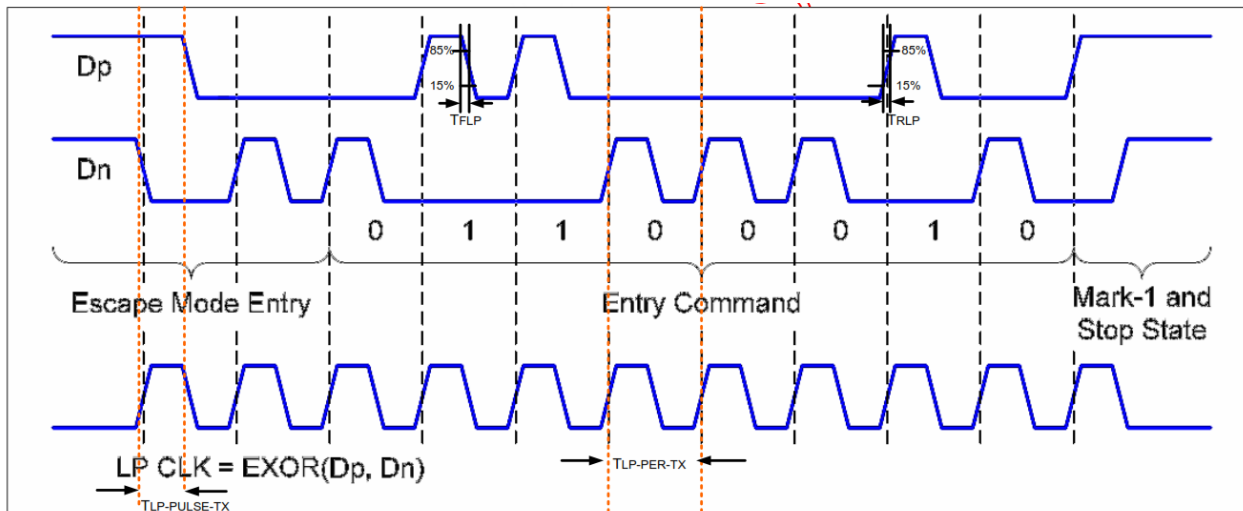
Vertical input timing





### 11.3 Low power transmitter AC characteristic

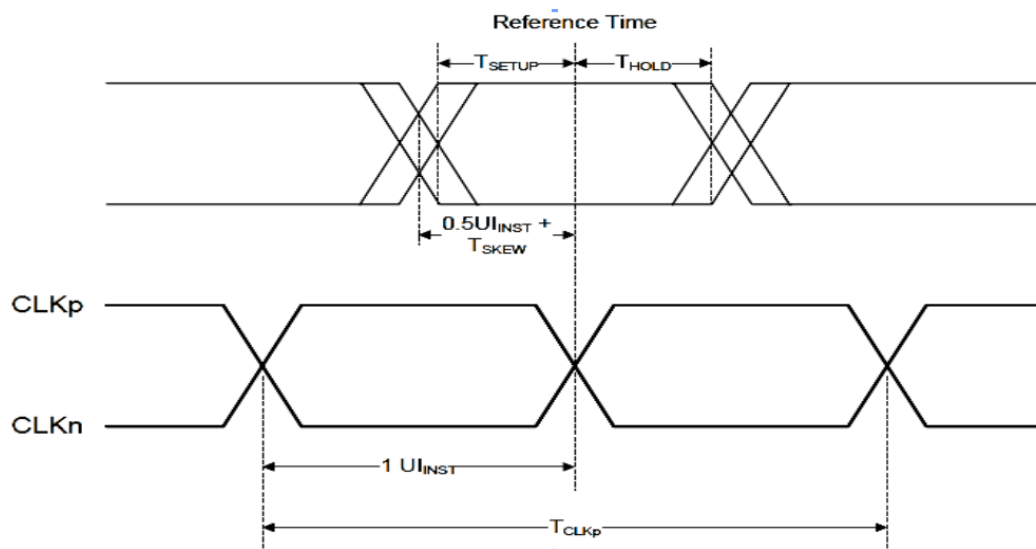
PARAMETER		SYMBOL	MIN	TYP	MAX	UNIT
15%~85% rising time and falling time		$T_{RLP}/T_{FLP}$	-	-	25	ns
30%~85% rising time and falling time		$T_{REOT}$	-	-	35	
Pulse width of LP exclusive -OR clock	First LP EXOR clock pulse after STOP state or LAST pulse before stop state	$T_{LP-PULSE-TX}$	40	-	-	
	All other pulses		20	-	-	
Period of the LP EXOR clock		$T_{LP-PER-TX}$	90	-	-	mV/ns
Slew Rate @CLOAD =0pF		$\delta V / \delta t_{SR}$	30	-	500	
Slew Rate @CLOAD =5pF			30	-	200	
Slew Rate @CLOAD =20pF			30	-	150	
Slew Rate @CLOAD =70pF			30	-	100	
Load Capacitance		$T_{RLP}$	-	-	70	pF





### 11.4 High speed transmission

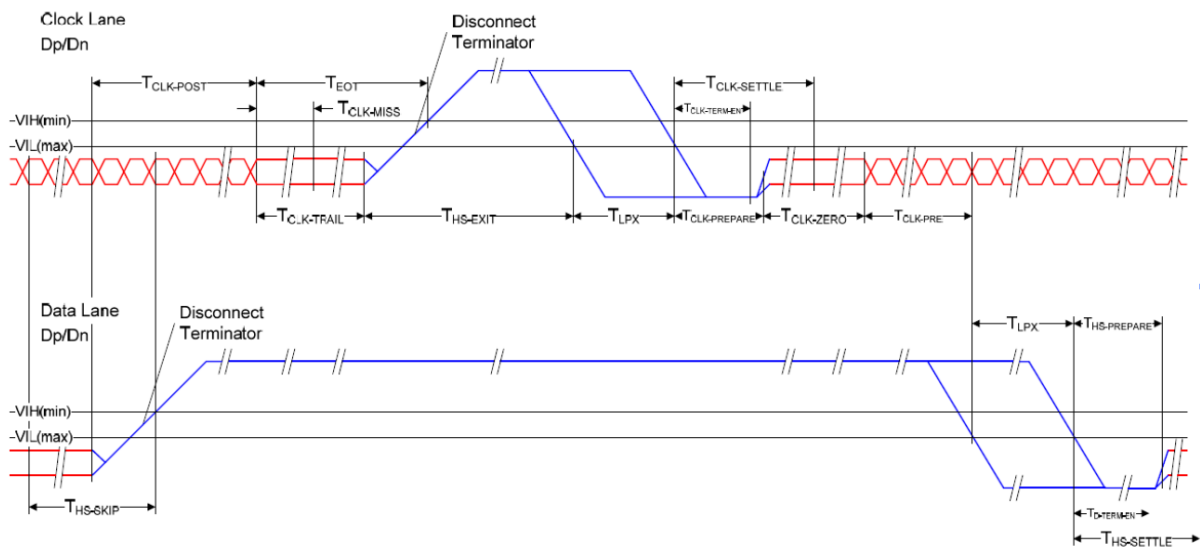
PARAMETER	SYMBOL	MIN	TYP	MAX	UNIT
UI instantaneous	$UI_{INST}$	2	-	12.5	ns
Data to Clock Skew (measured at transmitter)	$T_{SKEW(TX)}$	-0.15	-	0.15	$UI_{INST}$
Data to Clock Setup time (Measured at receiver)	$T_{SETUP(RX)}$	0.15	-	-	
Data to Clock Hold time (Measured at receiver)	$T_{HOLD(RX)}$	0.15	-	-	
20%~80% rising time and falling time	$T_R, T_F$	150	-	-	ps
		-	-	0.3	$UI_{INST}$



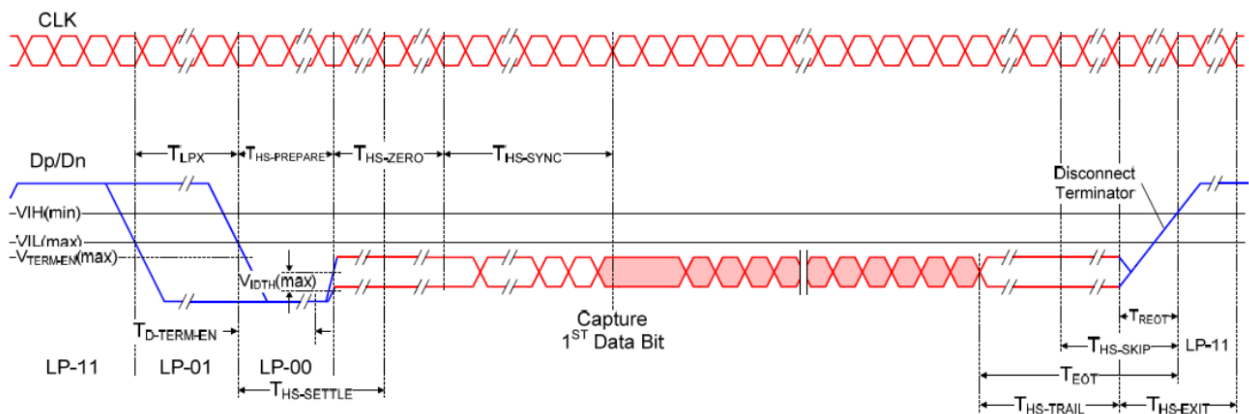


### 11.5 High speed clock transmission

PARAMETER	SYMBOL	MIN	TYP	MAX	UNIT
Time that the transmitter shall continue sending HS clock after the last associated Data Lane has transitioned to LP mode	$T_{CLK-POST}$	$60+52UI$	-	-	ns
Detection time that the clock has stopped toggling	$T_{CLK-MISS}$	-	-	60	
Time to drive LP-00 to prepare for HS clock transmission	$T_{CLK-PREPARE}$	38	-	95	
Minimum lead HS-0 drive period before starting clock	$T_{CLK-PREPARE+}$ $T_{CLK-ZERO}$	300	-	-	
Time to enable Clock Lane receiver line termination measured from when Dn cross $V_{IL,MAX}$	$T_{HS-TERM-EN}$	-	-	38	
Minimum time that the HS clock must be prior to any associated data lane beginning the transmission from LP to HS mode	$T_{CLK-PRE}$	8	-	-	UI
Time to drive HS differential state after last payload clock bit of a HS transmission burst	$T_{CLK-TRAIL}$	60	-	-	ns



### 11.6 High speed data transmission in bursts







## 12. INITIALIZATION CODE

```
DCS_Short_Write_NP(0x01); //Software Reset
Delay (120);
Generic_Short_Write_1P(0xB2,0x70); //Set Channels 2LANE:0x50; 3LANE:0x60; 4LANE:0x70
Generic_Short_Write_1P(0x80,0x4B); //Set Gamma voltage
Generic_Short_Write_1P(0x81,0xFF); //Set Gamma voltage
Generic_Short_Write_1P(0x82,0x1A); //Set Gamma voltage
Generic_Short_Write_1P(0x83,0x88); //Set Gamma voltage
Generic_Short_Write_1P(0x84,0x8F); //Set Gamma voltage
Generic_Short_Write_1P(0x85,0x35); //Set Gamma voltage
Generic_Short_Write_1P(0x86,0xB0); //Set Gamma voltage
DCS_Short_Write_NP(0x11); //Exit Sleep Mode
Delay (120);
DCS_Short_Write_NP(0x29); //Display on; 0x28 is display off
Delay (20);
```

## 13. INSPECTION

Standard acceptance/rejection criteria for TFT module

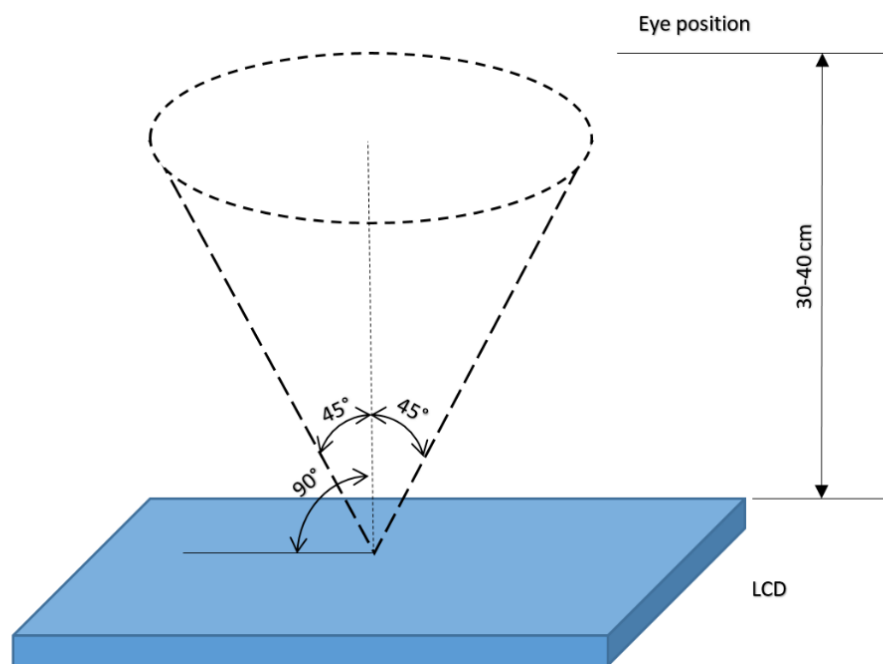
### 13.1 Inspection condition

Ambient conditions:

- Temperature:  $25 \pm 2^{\circ}\text{C}$
- Humidity:  $(60 \pm 10) \%RH$
- Illumination: Single fluorescent lamp non-directive (300 to 700 lux)

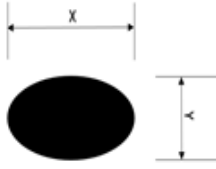

Viewing distance:  $35 \pm 5\text{cm}$  between inspector bare eye and LCD.

Viewing Angle: U/D:  $45^{\circ}/45^{\circ}$ , L/R:  $45^{\circ}/45^{\circ}$





13.2 Inspection standard

ITEM		CRITERION		
Black spots, white spots, light leakage, Foreign Particle (round Type)	 <p><math>D=(x+y)/2</math> Spot's density: 10 mm</p>	Size = 7"		
		Average Diameter	Qualified Qty	
		$D \leq 0.2 \text{ mm}$	Ignored	
		$0.2 \text{ mm} < D \leq 0.3 \text{ mm}$	N≤3	
		$0.5\text{mm} < D$	Not allowed	
LCD black spots, white spots, light leakage (line Type)		Size = 7"		
		Length	Width	Qualified Qty
		-	$W \leq 0.05$	Ignored
		$L \leq 5.0$	$0.05 < W \leq 0.1$	3
		$5.0 < L$	$0.1 < W$	Not allowed
Bright/Dark Dots	Size = 7"			
	Item	Qualified Qty		
	Bright dots	N≤2		
	Dark dots	N≤3		
	Total bright and dark dots	N≤4		
Clear spots	Size = 7"			
	Average Diameter	Qualified Qty		
	$D < 0.2 \text{ mm}$	Ignored		
	$0.2 \text{ mm} < D < 0.3 \text{ mm}$	4		
	$0.3 \text{ mm} < D < 0.5 \text{ mm}$	2		
	$0.5 \text{ mm} < D$	0		
Polarizer bubbles	Size = 7"			
	Average Diameter	Qualified Qty		
	$D \leq 0.2 \text{ mm}$	Ignored		
	$0.2 \text{ mm} < D \leq 0.5 \text{ mm}$	4		
	$0.5 \text{ mm} < D$	0		
Touch panel spot	Size ≥ 5"			
	Average Diameter	Qualified Qty		
	$D < 0.25 \text{ mm}$	Ignored		
	$0.25 \text{ mm} < D < 0.5 \text{ mm}$	4		
	$0.5 \text{ mm} < D$	0		
Touch panel White line Scratch	Size ≥ 5"			
	Length	Width	Qualified Qty	
	-	$W < 0.03$	Ignored	
	$L < 5.0$	$0.03 < W < 0.05$	2	
	-	$0.05 < W$	0	



## 14. RELIABILITY TEST

NO.	TEST ITEM	TEST CONDITION
1	High Temperature Storage	80°C/120 hours
2	Low Temperature Storage	-30°C/120 hours
3	High Temperature Operating	70 °C /120 hours
4	Low Temperature Operating	-20°C/120 hours
5	High Temperature and High Humidity	Humidity 40°C, 90%RH, 120Hrs
6	Thermal Cycling Test (No operation)	-20°C for 30min, 70°C for 30 min. 100 cycles. Then test at room temperature after 1 hour
7	Vibration Test	Frequency: 10 ÷ 55 Hz. Stroke: 1.5 mm. Sweep: 10Hz ÷ 55Hz ÷ 10 Hz. 2 hours for each direction of X, Y, Z (Total 6 hours)
8	Package Drop Test	Height: 60 cm 1 corner, 3 edges, 6 surfaces
9	ESD Test	Air: ±2 kV, Human Body Mode, 100 pF /1500 Ω

**Note 1.** Sample quantity for each test item is 5 ÷ 10 pcs.

**Note 2.** Before cosmetic and function test, the product must have enough recovery time, at least 2 hours at room temperature.



## 15. LEGAL INFORMATION

CE marking is usually obligatory only for a complete end product. Riverdi display modules are semi-finished goods which are used as inputs to become part of the finished products.

Therefore, Riverdi display modules are not CE marked.

Riverdi grants the guarantee for the proper operation of the goods for a period of 12 months from the date of possession of the goods. If in a consequence of this guaranteed execution the customer has received the defects-free item as replacement for the defective item, the effectiveness period of this guarantee shall start anew from the moment the customer receives the defects-free item.

Information about device is the property of Riverdi and may be the subject of patents pending or granted. It is not allowed to copy or disclosed this document without prior written permission.

Riverdi endeavors to ensure that all contained information in this document is correct but does not accept liability for any error or omission. Riverdi products are in developing process and published information may be not up to date. Riverdi reserves the right to update and makes changes to Specifications or written material without prior notice at any time. It is important to check the current position with Riverdi.

Images and graphics used in this document are only for illustrative the purpose. All images and graphics are possible to be displayed on the range products of Riverdi, however the quality may vary. Riverdi is no liable to the buyer or to any third party for any indirect, incidental, special, consequential, punitive or exemplary damages (including without limitation lost profits, lost savings, or loss of business opportunity) relating to any product, service provided or to be provided by Riverdi, or the use or inability to use the same, even if Riverdi has been advised of the possibility of such damages.

Riverdi products are not fault tolerant nor designed, manufactured or intended for use or resale as on line control equipment in hazardous environments requiring fail-safe performance, such as in the operation of nuclear facilities, aircraft navigation or communication systems, air traffic control, direct life support machines or weapons systems in which the failure of the product could lead directly to death, personal injury or severe physical or environmental damage ('High-Risk Activities'). Riverdi and its suppliers specifically disclaim any expressed or implied warranty of fitness for High-Risk Activities. Using Riverdi products and devices in 'High-Risk Activities' and in any other application is entirely at the buyer's risk, and the buyer agrees to defend, indemnify and hold harmless Riverdi from all damages, claims or expenses resulting from such use. No licenses are conveyed, implicitly or otherwise, under any Riverdi intellectual property rights.



Hi, I am here to help you!  
If you have any additional  
questions, please contact  
our support via email:  
[contact@riverdi.com](mailto:contact@riverdi.com)

