



WINSTAR Display Co.,Ltd.
華凌光電股份有限公司



SPECIFICATION

MODEL NO. : WLOF00035000XGAAASA00

Summary

3.5 Inch Smart Display Feature

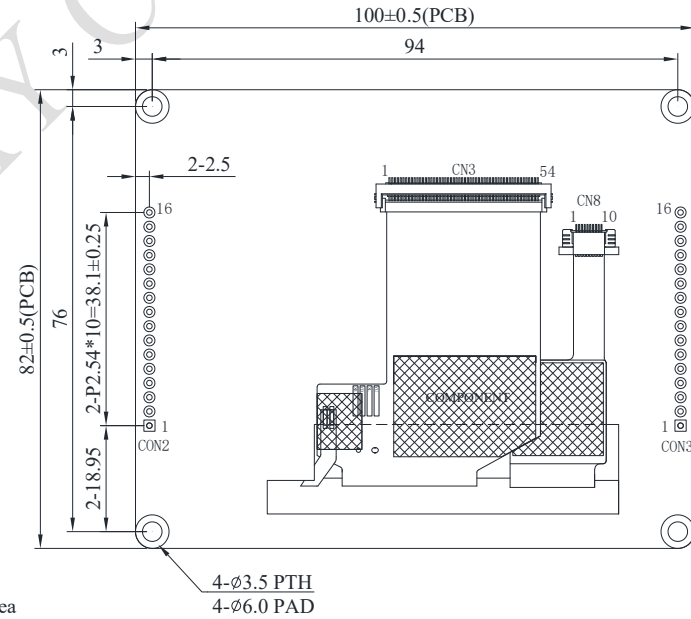
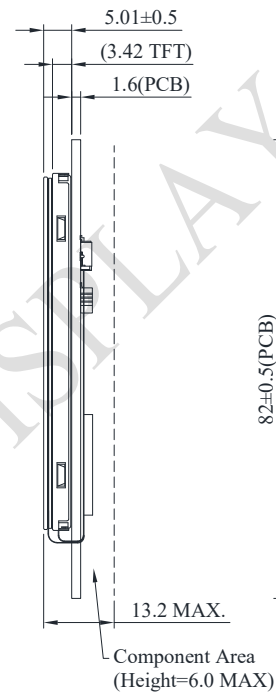
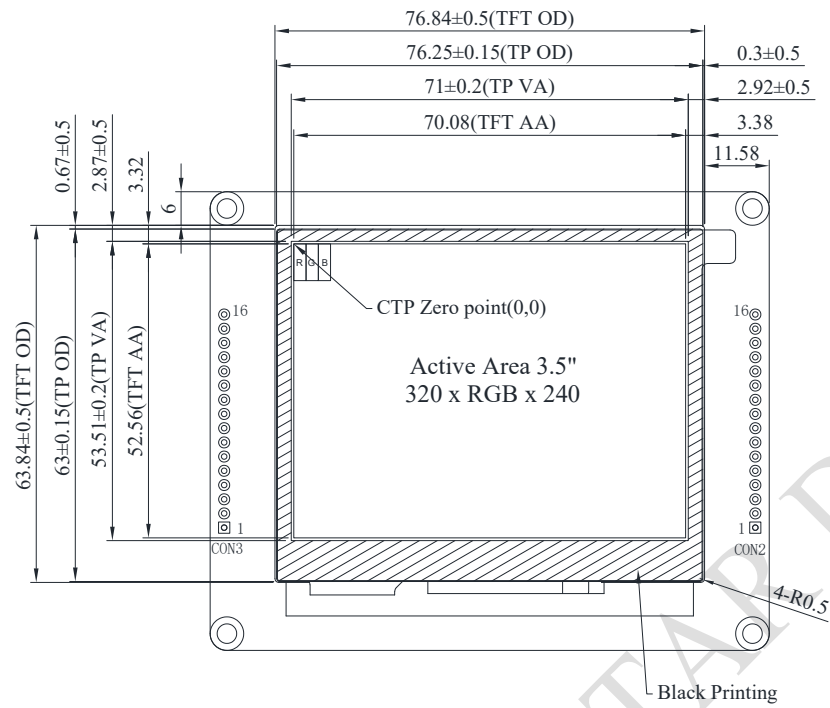
1. DC 5V~24V working voltage, low power consumption.
2. Self testing after booting function.
3. CAN bus communication interface.
4. Supports CANopen protocol, default baud rate at 250KB.
5. Built in 16MB flash memory, store the font and Object Dictionary Data.
6. Support capacitive touch panel(CTP).
7. Embedded buzzer controlled by Master Device.
8. Demo set HOST can be used on multiple platforms, such as Computer (with USB to CAN Dongle), MCU, Raspberry Pi (with PiCAN2).

Product information

General information

Item	Standard Value	Unit
Operating voltage	5 ~ 24	Vdc
Communication Interface	CAN bus differential \pm 3.3	Vpp
MCU	STM32F750	N/A
Flash Memory	16	MB
SDRAM Frequency	108	MHz
LCD display size	3.5	inch
Dot Matrix	320× 3(RGB) × 240	dot
Module dimension	100(W) x 82(H) x 13.2(D)	mm
Active area	70.08(W) x 52.56(H)	mm
Pixel pitch	0.219 x 0.219	mm
Brightness	Min: 300; Typ: 400	cd/m ²
LCD type	TFT, Normally Black, Transmissive	
View Direction	80/80/80/80	
Aspect Ratio	4:3	
Touch Panel	Capacitive Touch Panel	
Surface	Glare	

Contour Drawing



CON3

PIN	SYMBOL
1~10	Reserved
11	SWDO
12	NRST
13	SWDI
14	GND
15	SWCLK
16	+3V3

CON2

PIN	SYMBOL
1~12	Reserved
13	CAN_L
14	CAN_H
15	GND
16	VIN

The non-specified tolerance of dimension is ±0.3mm.

Absolute Maximum Ratings

Item	Symbol	Min	Typ	Max	Unit
Operating Temperature	TOP	-20	—	+70	°C
Storage Temperature	TST	-30	—	+80	°C

Electrical Characteristics

Item	Symbol	Min	Typ	Max	Unit
Supply Voltage	VIN	5	12	24	V
Supply Current	ICC	-	150	-	mA

BOM

Item	Description
LCM	WF35XTYACDNG0#
PCBA	SV100035000XA00N0101

Interface

CON2 definition:

Pin	Symbol	Function	Remark
16	VIN	Power +5V~24V	Input
15	GND	Power GND	Input
14	CAN_H	CAN bus D+	I/O
13	CAN_L	CAN bus D-	I/O
12-1	Reserved	--	--

CON3 definition:

Pin	Symbol	Function	Remark
16	+3V3	3.3V power for JTAG interface	Output
15	SWCLK	CLK pin for JTAG interface	Input
14	GND	GND for JTAG interface	Output
13	SWDI	Data pin for JTAG interface	I/O
12	NRST	Reset pin for JTAG interface	Input
11	SWDO	Data pin for JTAG interface	I/O
10-1	Reserved	--	-