



WINSTAR Display Co.,Ltd.
華凌光電股份有限公司



SPECIFICATION

MODEL NO. : WLOF0007000A8GAADSA00

Summary

7 Inch Smart Display (CAN series) Features

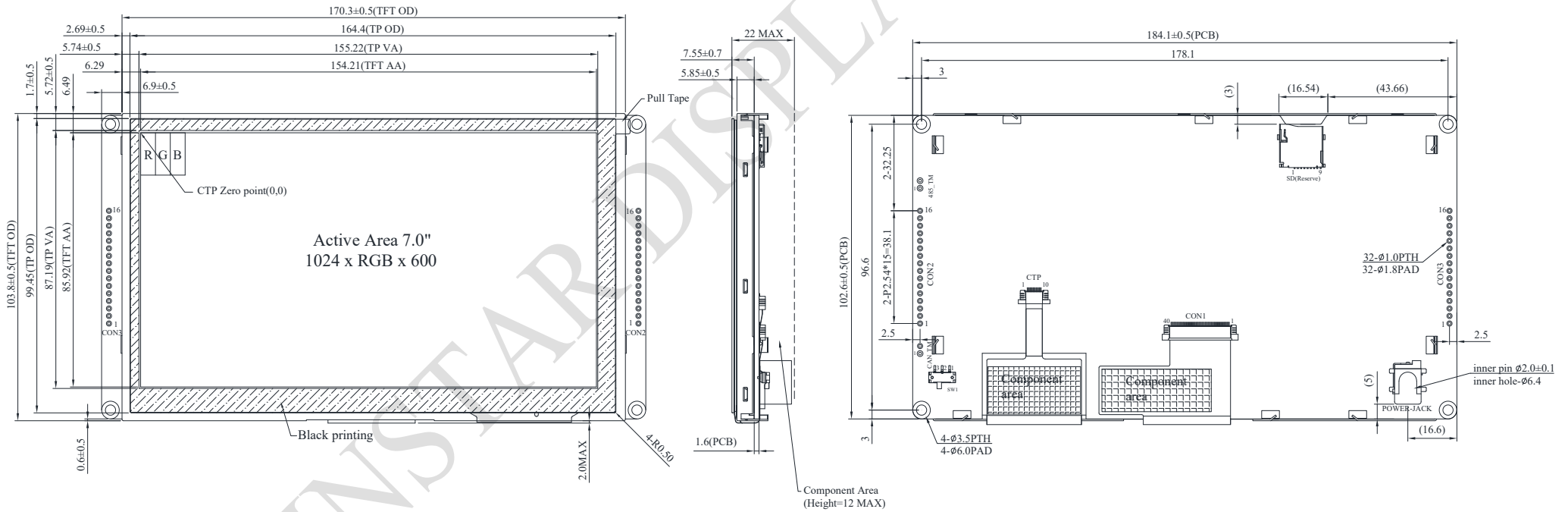
1. +12V power supply input with 8V to 35V dynamic range power input, the power consumption is around 6 Watt.
2. Self testing after booting function.
3. CAN bus communication interface.
4. Supports Custom CAN ID protocol, default baud rate at 250Kbps.
5. Built in 16MB external flash memory to store the font and Object Dictionary Data.
6. Support capacitive touch panel (CTP).
7. Build in buzzer and can be controlled by Master Device.
8. Demo set HOST can be used on multiple platforms, such as Computer (with USB to CAN Dongle), MCU, Raspberry Pi (with PiCAN2).
9. GPIO PIN support with 3.3V TTL, max 5.5V tolerance.

Product information

General information

Item	Standard Value	Unit
Operating voltage	8~35	Vdc
Communication Interface	CAN bus	--
MCU	STM32F746	N/A
Flash Memory	16	MB
SDRAM Frequency	100	MHz
LCD display size	7.0	inch
Dot Matrix	1024 x RGBx600(TFT)	dot
Module dimension	184.1(W) x 103.8(H) x 22(D)	mm
Active area	154.2144 x 85.92	mm
Pixel pitch	0.1506 x 0.1432	mm
Brightness	Min:400; Typ:450	cd/m ²
LCD type	TFT, Normally Black, Transmissive	
View Direction	85/85/85/85	
Aspect Ratio	16:9	
Touch Panel	Capacitive Touch Panel	
Surface	Glare	

Contour Drawing



POWER JACK
 2 - 1
 GND VIN
 (8-36V)

CON2

PIN	SYMBOL	PIN	SYMBOL
1	VIN	9	VBUS
2	GND	10	Reserve
3	CAN_H	11	Reserve
4	CAN_L	12	GND
5	GND	13	VIN
6	GND	14	Reserve
7	Reserve	15	Reserve
8	Reserve	16	GND

CON3

PIN	SYMBOL	PIN	SYMBOL
1	+3V3	9	IO_0
2	SWCLK	10	IO_1
3	GND	11	IO_2
4	SWDIO	12	IO_3
5	NRST	13	IO_4
6	GND	14	IO_5
7	Wkup	15	IO_6
8	BOOT0	16	IO_7

Absolute Maximum Ratings

Item	Symbol	Min	Typ	Max	Unit
Operating Temperature	TOP	-20	—	+70	°C
Storage Temperature	TST	-30	—	+80	°C

Electrical Characteristics

Item	Symbol	Condition	Min	Typ	Max	Unit
Supply Voltage	VIN	—	8	12	35	V
Supply current	I(mA)	—	—	490	—	mA

BOM

Item	Description
LCM	WF70A8TYAHLNGB#
PCBA	SV10007R00A8C00N0100

Interface

CON2 definition:

Pin	Symbol	Function	Remark
1	VIN	Power supply V+	Input
2	GND	Power supply GND input	Input
3	CAN_H	CAN bus D+	I/O
4	CAN_L	CAN bus D-	I/O
5	GND	Power supply GND input	Input
6	GND	Power supply GND input	Input
7	Reserve	-	-
8	Reserve	-	-
9	VBUS	-	-
10	Reserve	UART RX interface(Reserve)	Reserve
11	Reserve	UART TX interface(Reserve)	Reserve
12	GND	GND	GND
13	Reserve	-	-
14	Reserve	-	-
15	Reserve	-	-
16	GND	GND	GND

CON3 definition:

Pin	Symbol	Function	Remark
1	+3V3	3.3V power for JTAG interface	Output
2	SWCLK	CLK pin for JTAG interface	Input
3	GND	GND for JTAG interface	Output
4	SWDIO	Data pin for JTAG interface	I/O
5	NRST	Reset pin for JTAG interface	Input
6	GND	Power GND	Output
7	Wkup	WKup,ADC,Timer,Event,I/O	Input
8	BOOT0	Lo: Internal flash boot (Default) Hi: External flash boot	Input
9	IO_0	ADC,DAC,Timer,Event,I/O @3.3V	I/O
10	IO_1	ADC,Timer,Event,I/O @3.3V	I/O
11	IO_2	ADC,Timer,Event,I/O @3.3V	I/O
12	IO_3	ADC,Timer,Event,I/O @3.3V	I/O
13	IO_4	ADC,Timer,Event,I/O @3.3V	I/O
14	IO_5	ADC,Timer,Event,I/O @3.3V	I/O
15	IO_6	ADC,Timer,Event,I/O @3.3V	I/O
16	IO_7	RST,ADC,Event,I/O @3.3V	I/O

@3.3V : I/O allow below 3.3V input, If exceeding 3.3V may cause MCU damage