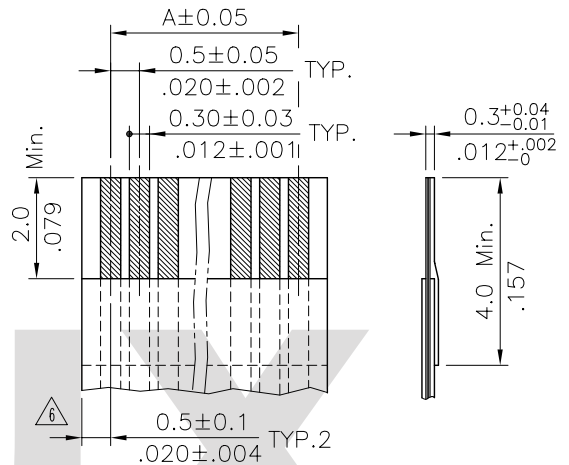
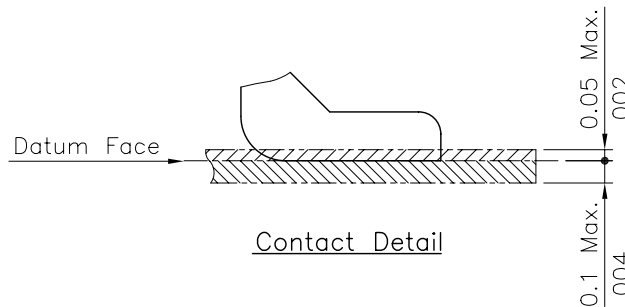
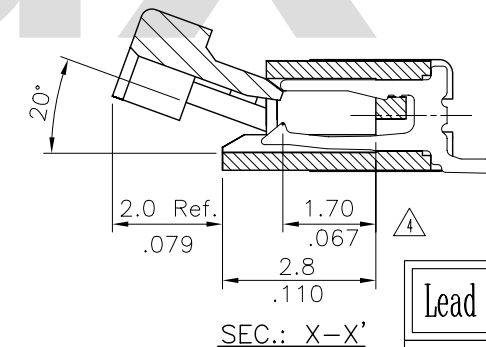


A = 0.50 * No. of Spaces
 B = A + 6.0
 C = A + 1.1

△* Available in 4 through 55 circuits



Accommodated FFC/FPC



SEC.: X-X'

Lead Free Process

RoHS Compliant

Ordering Code

CF20 ** 1 D 0 ** -LF
 ① ② ③ ④ ⑤ ⑥ ⑦

- ① Series No.
- ② No. of Circuits
- ③ Plating code:
1 = 3.05µm(120µ") Min. Matte Tin
over 0.76µm(30µ") Nickel
- ④ Contact style: D= Downside contact
- ⑤ Color: 0= Nature
- ⑥ Other option: R0= Tape & Reel
T0= Tube Packing
- ⑦ Other option:
-LF= For Lead Free IR Processes

△ Material :

- * Body : High temperature plastic UL 94V-0
Color Nature(Ivory)
- * Slider : High temperature plastic UL 94V-0
Color Black
- * Contact : Copper alloy with Matte Tin plated
- * Fixed tab : Copper alloy with Matte Tin plated

△6	Karen	10/7-09'	ECN09219		DATE	UNIT: mm / inch	TITLE: 0.50mm(.031") ZIF FFC/FPC DOWNSIDE CONTACT SURFACE MOUNT CONNECTOR	瀚荃股份有限公司 CviLux Corporation	
△5	Karen	8/12-09'	ECN09413/ECR09116-0		DRAWN BY: Karen	10/12-09'			TOLERANCE UNLESS OTHERWISE SPECIFIED
△4	Sandy	11/26-08'	ECN08577		ENGINEER: Eisle	10/13-09'			.X ± 0.15/.006 X' ± .1
△3	Sandy	1/28-08'	ECN08024/ECR08004-1		CHECKED BY: David	10/13-09'			.XX ± 0.10/.004 .X' ±
SYM	NAME	DATE	REVISIONS		APPROVED BY: Alex	10/13-09'			.XXX ± 0.05/.002 .XX' ±
MATERIAL:								DRAWING NO. CF2034SG PART NO. CF20**1D0**-LF	
FINISH:								SCALE 7 / 1 SHEET 1 OF 2	