

MPT-3000R

Multi-Purpose Railway System

EN50155 Certified Fanless Box PC with M12 Connection and WWAN Redundancy



Specifications

System Mainboard	MBT-3001R
CPU Type	Intel® Atom™ Processor E3845
System Speed	1.91GHz
Memory	2x 2GB DDR3L-1333 SO-DIMM (Dual Channel)
Construction	Aluminum
Chassis Color	Black
Front Panel External I/O	CFAST, 2.5" device bay, 2nd Mic-In & Line-Out, 2x SIM sockets, 1x USB 3.0, 1x USB 2.0, Reset button, Status LEDs, 4x antenna connectors
Rear Panel External I/O	DVI-D, VGA, 3x COMs (one with RS422/485 options), 2x M12 GbE, 2x M12 USB 2.0, M12 power connection, 1st Mic-In & Line-Out, GPIO, GbE status LEDs
Storage	2.5" device bay for SSD & HDD
Expansion slots	1x Half size Mini PCI-E socket (USB 2.0) 1x Full size Mini PCI-E socket (USB 2.0 + PCI-E) 1x 2230 Socket 1 M.2 socket (USB 2.0 + PCI-E) 1x 3042 Socket 2 WWAN M.2 socket (USB 2.0) 1x 2280 Socket 3 SSD M.2 socket (SATA)
Power Supply	DC 9V~36V / 72V / 110V
Mounting	Custom mounting rail
Dimensions	256.0 (W) x 182.0 (D) x 68.0 (H) mm 10.08" (W) x 7.17" (D) x 2.68" (H)
Operating Temperature	SSD: -40°C ~ 70°C (-40°F~158°F) HDD: -20°C ~ 50°C (-4°F~122°F)
Storage Temperature	-40°C ~ 85°C (-40°F~185°F)
Relative Humidity	10 ~ 95% RH @ 45°C (non-condensing)
Vibration	Function: 1 m/s ² , 5Hz ~ 150 Hz (EN 61373) Lifetime: 5.72 m/s ² , 5Hz ~ 150 Hz (EN 61373)
Shock	50 m/s ² , 30 msec (EN 61373)
Certification	EN50155: 2007, EN50153:2014 EN50121-3-2:2015, CE class A, FCC class A, EN45545

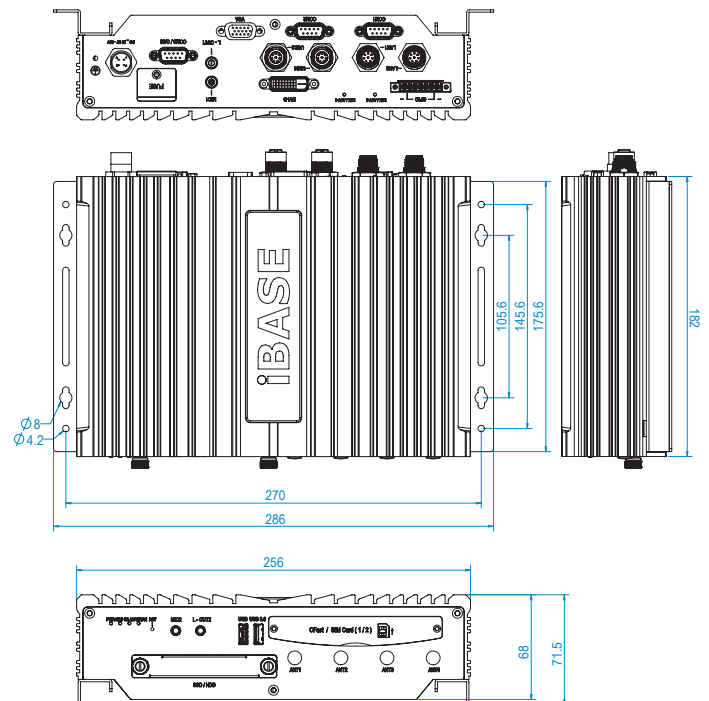
Features

- EN50155 certified
- Fanless design
- Robust M12 connection for dual GbE, USB and power input
- Dual SIM sockets support WWAN redundancy
- Removable 2.5" device bay and CFAST socket
- Rich I/O interfaces for wireless, SSD, GPS, WWAN and add-on card expansion
- Ignition power control
- Wide-range voltage GPIO interface

Ordering Information

MPT-3000RSM	MPT-3000R with MBT-3001R (Intel® E3845) w/ 2x 2GB DDR3L-1333, SSD bay, No PSU, No storage (RoHS)
MPT-3000RHVSM	MPT-3000R with MBT-3001R (Intel E3845) w/ 2x 2GB DDR3L-1333, SSD bay, No PSU, No storage (RoHS) 72V/110V DC
M12-PWR-Cable-1	120CM M12 Power Cable For MPT Series / Lead Only
M12-USB-Cable-1	300CM M12 to One USB Receptacle Cable For MPT Series
M12-RJ45-Cable-1	300CM M12 to One RJ45 Jack Cable
Fuse-HV	Fuse for HV version

Dimensions



Remarks: 1. Specifications are subject to change without prior notice. 2. ODM/OEM is available. 3. For user's manual & datasheet download, visit www.ibase.com.tw.

