



**DLD4309-B V1**  
**43" TFT LCD, 1800nits LED Backlight, 1920x1080**

The **DLD4309-B** is a 43 inch industrial grade sunlight readable LCD, with high brightness **1800** nits, it produce sharp images, crisp text and lifelike colors. The Durapixel LED backlight technology ensures high reliability and low power consumption, suitable for outdoor application, kiosk, factory automation, military, transportation and gaming application.

**Key Features**

- High Brightness 1800 nits
- Sunlight Readable
- LED Backlight
- Low Power Consumption
- LCD Blacking Defect Free(Hi-Tni 110 °C)
- BL MTBF: 100,000 hours



**Specifications**

<b>Model Name</b>	<b>DLD4309-B</b>
<b>Description</b>	43" TFT LCD, 1800nits LED Backlight, 1920x1080
<b>Screen Size</b>	43"
<b>Display Area (mm)</b>	940.896(H) x 529.254(V)
<b>Brightness</b>	1800 cd/m <sup>2</sup>
<b>Resolution</b>	1920x1080
<b>Aspect Ratio</b>	16:9
<b>Contrast Ratio</b>	1300 : 1
<b>Pixel Pitch (mm)</b>	0.4905(H) x 0.4905(V)
<b>Pixel Pre Inch (PPI)</b>	51
<b>Viewing Angle</b>	178°(H),178°(V)
<b>Color Saturation (NTSC)</b>	83%
<b>Display Colors</b>	16.7M
<b>Response Time (Typical)</b>	8ms
<b>Panel Interface</b>	LVDS
<b>Input Interface</b>	DVI-I, HDMI, DP
<b>Input Power</b>	AC100~240V
<b>Power Consumption</b>	106W
<b>OSD Key</b>	4 Keys (Power Switch, Menu, +, -)
<b>OSD Control</b>	Brightness, Color, Contrast, Auto Turing, H/V Position...etc
<b>Dimensions (mm)</b>	973(H) x 567.3(V) x 69.9(T)
<b>Bezel Size(U/B/L/R)</b>	18.9/18.9/15.9/15.9 mm
<b>Mounting</b>	400x100 mm
<b>Weight (Net)</b>	17.8kg
<b>Operating Temperature</b>	-20 °C ~ 60 °C
<b>Storage Temperature</b>	-20 °C ~ 70 °C

**DLD**= Panel + LED Driving Board + AD Control Board + Chassis

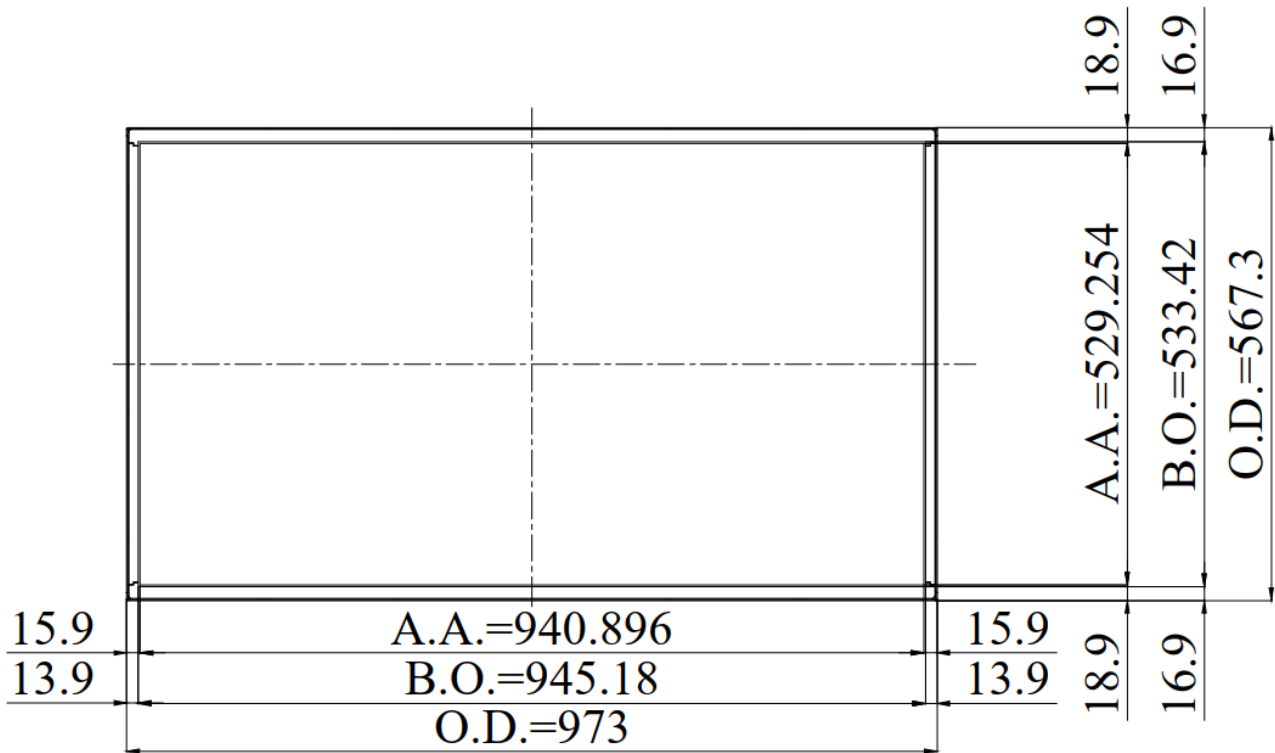
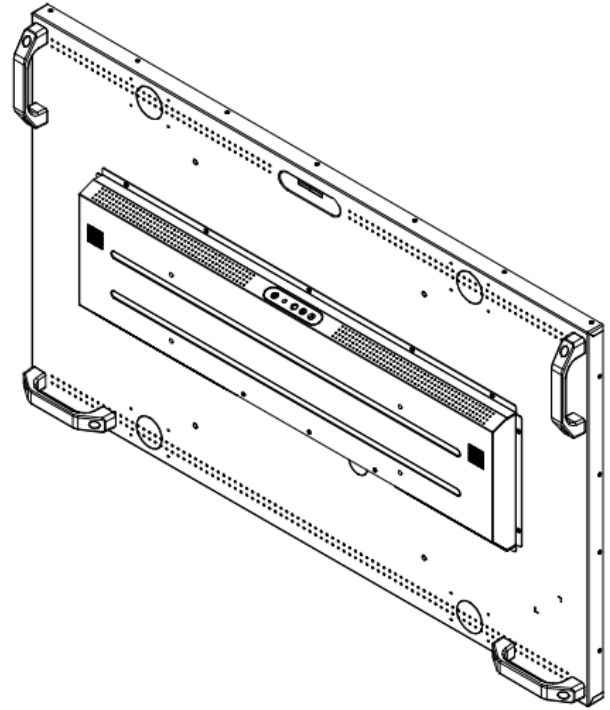
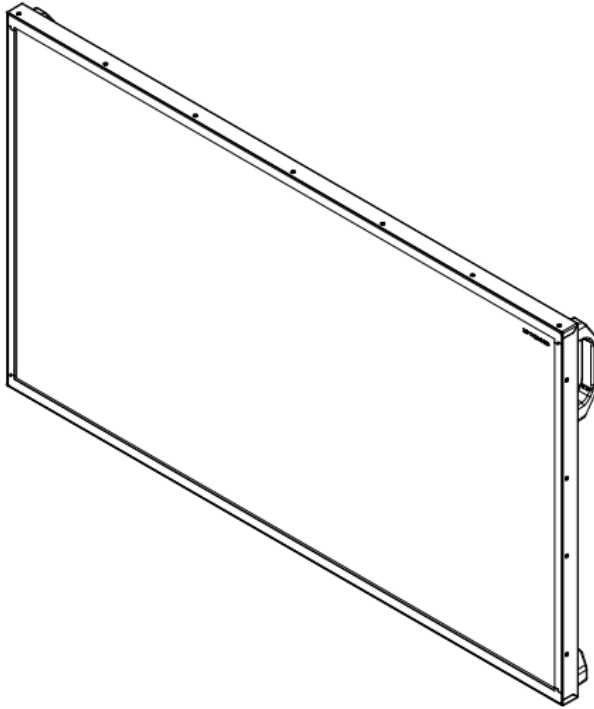
Specifications are subject to change without notice.  
 All brands or product names are trademarks or registered trademarks of their respective companies.

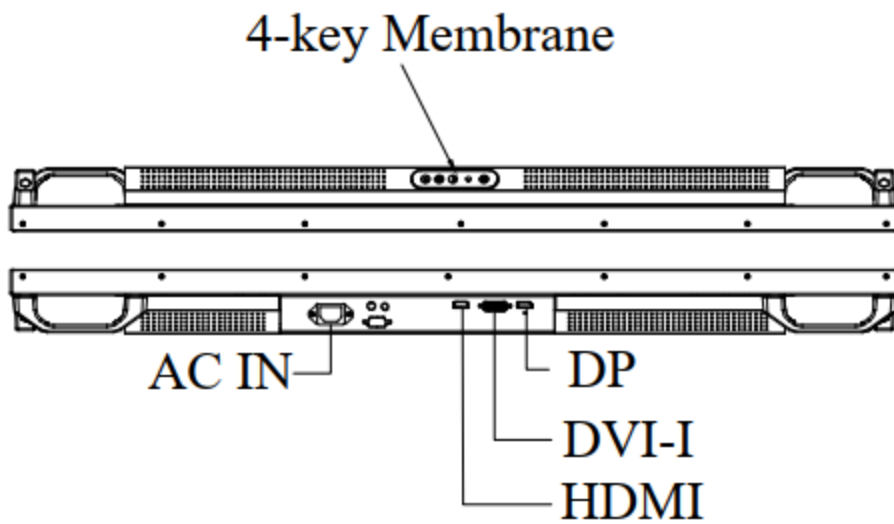
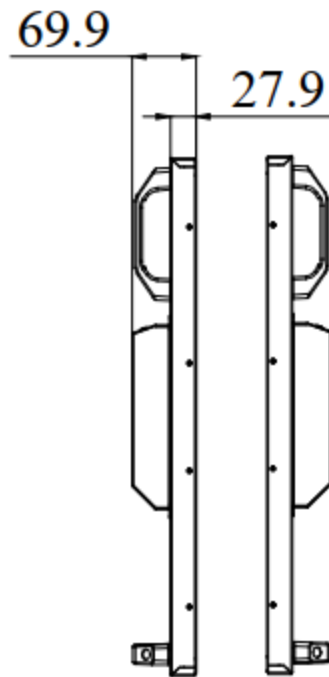


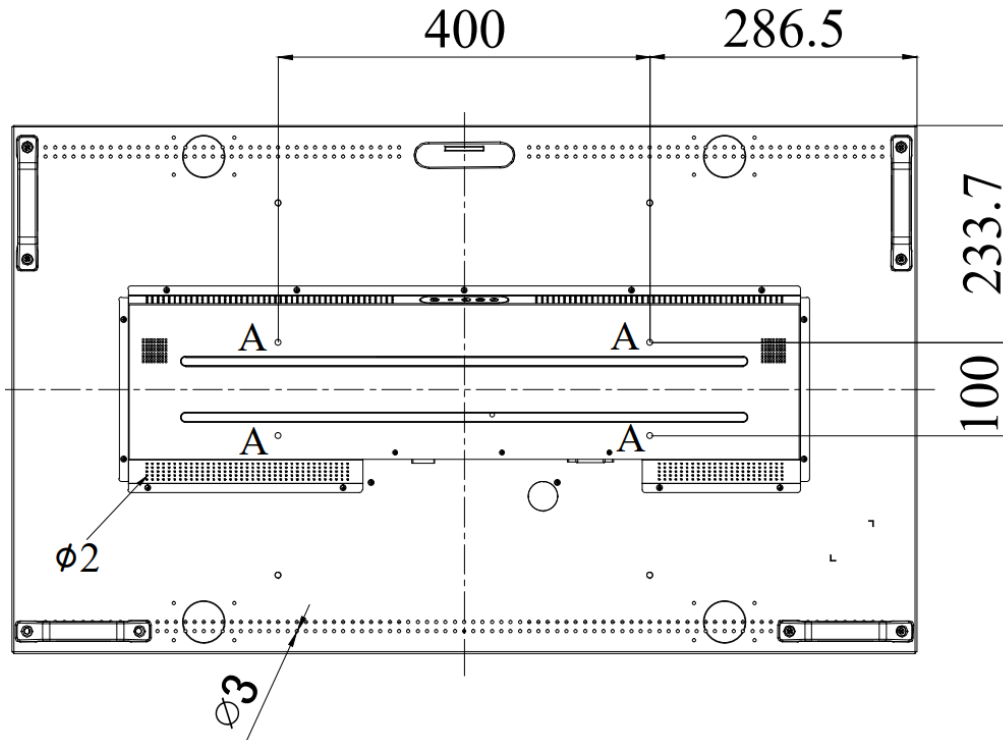
## Mechanical Drawing

### Outline Dimensions

Unit:mm







**NOTE :**

O.D. : OUTLINE DIMENSION

B.O. : BEZEL OPENING

A.A. : LCD ACTIVE AREA

A : 4-M6\_USER HOLE\_MAX. DEPTH= 6 mm

**Ordering Information**

Part Number	Description
DLD4309-BNB-Q01	43",1800nits,1920*1080,T2060,HTni,LID43C,AD8891DHP,O/B,AC100~240V,3in1,V1

**Optional Accessories**

Part Number	Description
810618301010	CABLE,POWER,AC,1830mm USA type
810618301090	CABLE,POWER,AC,1830mm Europe type
810618301050	CABLE,POWER,AC,1830mm UK type
810618301170	CABLE,POWER,AC,1830mm Australia type
810618301031	CABLE,POWER,AC,1830mm Japan type

**Customer request**

Touch	SCT (Single-Touch), PCT (Multi-Touch)
Glass	Tempered glass, AR coating.....