



SSD2869-Y

28.6" TFT LCD, 1800 nits LED Backlight, 1920x540 ultra wide aspect ratio 16:4.5

The SSD2869-Y is a 28.6 inch color TFT-LCD display with special aspect ratio 16:4.5 and wide resolution 1920 x 540. It is Litemax's Spanpixel series product which designed for high brightness with power efficiency LED backlight. It provides LCD panel with specific aspect ratios and sunlight readable for digital signage, public transportation, exhibition hall, department store, and vending machine.

Key Features

- Ultra Wide Screen 16:4.5
- High Brightness 1800 nits
- Sunlight Readable
- LED Backlight
- Low Power Consumption
- LCD Blacking Defect Free(Hi-Tni 110 °C)
- BL MTBF: 100,000 hours



Specifications

Model Name	SSD2869-Y
Description	28.6" TFT LCD, 1800 nits LED Backlight, 1920x540
Screen Size	28.6"
Display Area (mm)	698.400(H) x 196.425(V)
Brightness	1800 cd/m ²
Resolution	1920x540
Aspect Ratio	16:4.5
Contrast Ratio	6300 : 1
Pixel Pitch (mm)	0.3637(H) x 0.3637 (V)
Pixel Pre Inch (PPI)	70
Viewing Angle	178°(H),178°(V)
Color Saturation (NTSC)	84%
Display Colors	16.7M
Response Time (Typical)	8ms
Panel Interface	LVDS
Input Interface	DVI-I, HDMI, DP
Input Power	DV12V
Power Consumption	39W
OSD Key	4 Keys (Power Switch, Menu, +, -)
OSD Control	Brightness, Color, Contrast, Auto Turing, H/V Position...etc
Dimensions (mm)	734.5x 232.5x 60.1 (T)
Bezel Size(U/B/L/R)	18/18/18/18 mm
Mounting	400x75 mm
Weight (Net)	5.6Kg
Operating Temperature	-20 °C ~ 60 °C
Storage Temperature	-20 °C ~ 60 °C

SSD= Panel + LED Driving Board + AD Control Board + Chassis

Specifications are subject to change without notice.

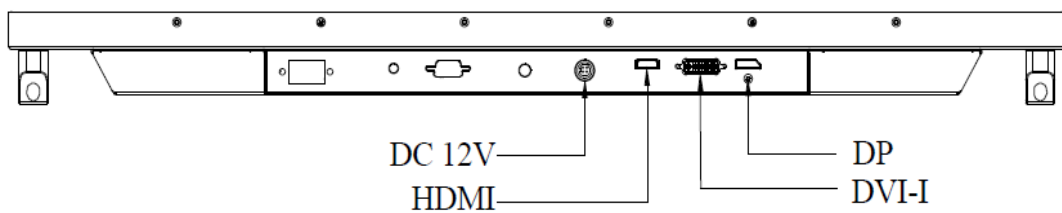
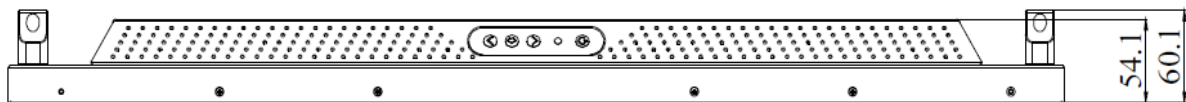
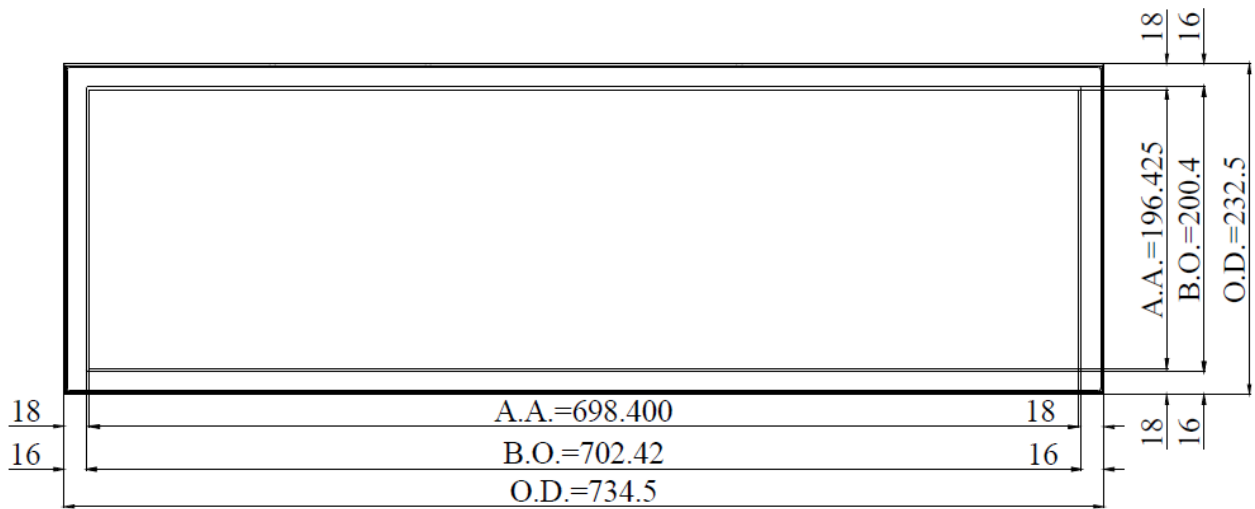
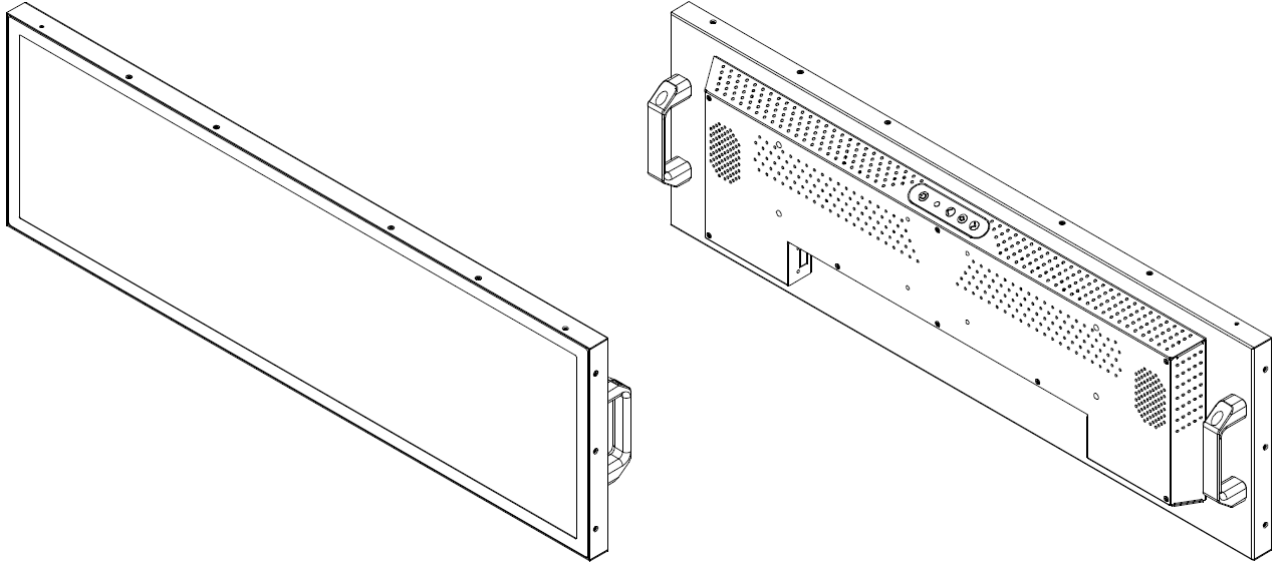
All brands or product names are trademarks or registered trademarks of their respective companies.

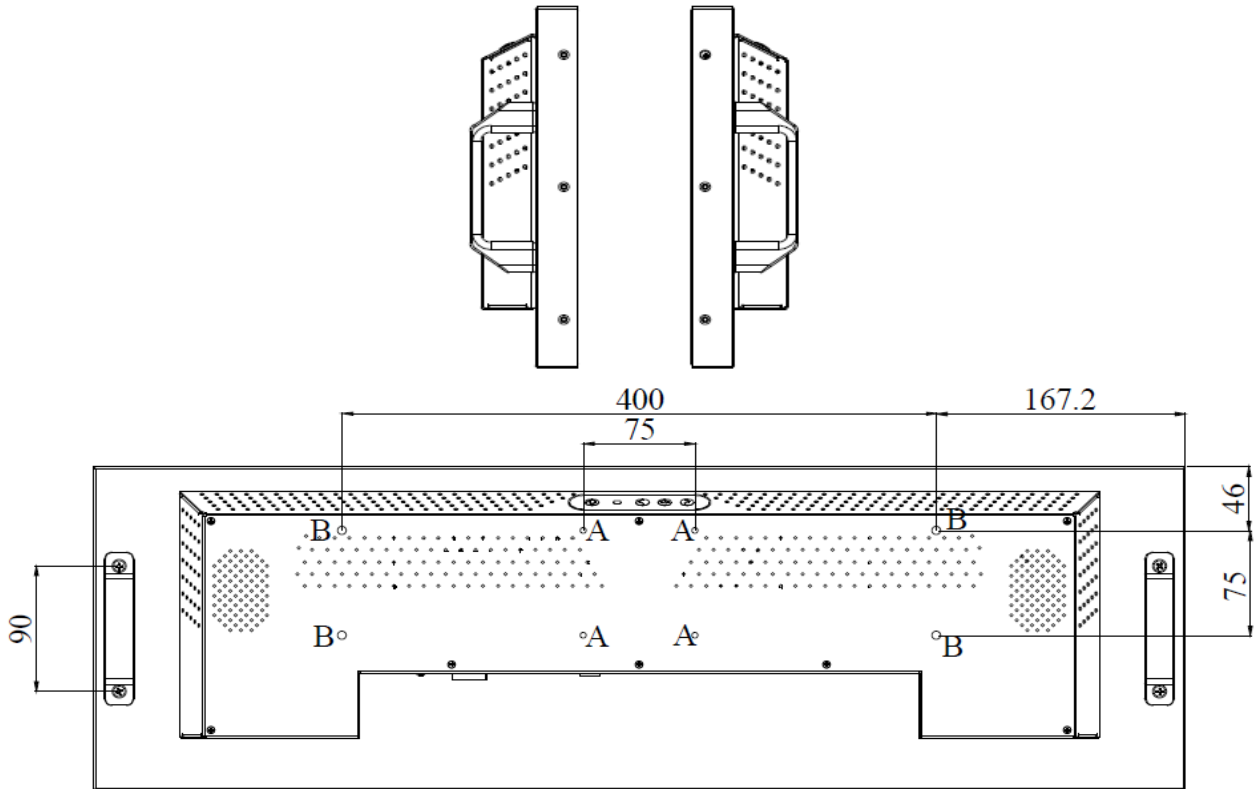


Mechanical Drawing

Outline Dimensions

Unit:mm





NOTE :

O.D. : OUTLINE DIMENSION(mm)

B.O. : BEZEL OPENING

A.A. : LCD ACTIVE AREA

A : 4-M4_VESA HOLE_Max Depth=5 mm

B : 4-M6_VESA HOLE_Max Depth=7 mm

Ordering Information

Part Number	Description
SSD2869-YNB-Q11	28.6",1800nits,1920*540,HTni,LID29C,AD8891DHP,O/B,DV12V,3in1,V1

Optional Accessories

Part Number	Description
810618301010	CABLE,POWER,AC,1830mm USA type
810618301090	CABLE,POWER,AC,1830mm Europe type
810618301050	CABLE,POWER,AC,1830mm UK type
810618301170	CABLE,POWER,AC,1830mm Australia type
810618301031	CABLE,POWER,AC,1830mm Japan type

Customer request

Touch	SCT (Single-Touch), PCT (Multi-Touch)
Glass	Tempered glass,AR coating.....