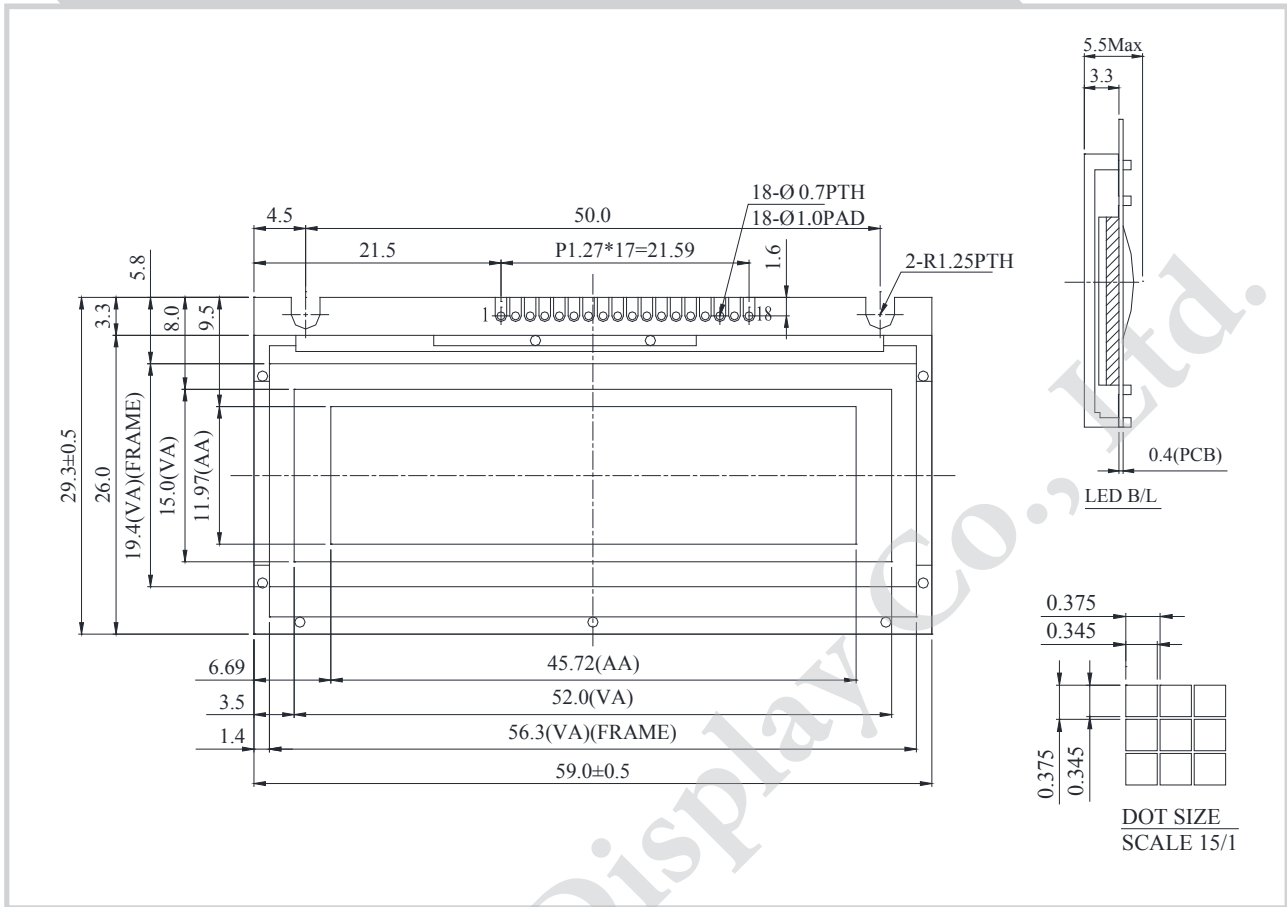


WG12232D Graphic 122x32 dots



Feature

1. Built-in controller Avnt (SBN1661G or equivalent)
2. 1/32 duty cycle
3. Chinese version: WG12232N
4. Pin pitch 2.0mm version: WG12232D1
5. White LED backlight not available

Pin No.	Symbol	Description
1	VLED	Power supply for B/L -
2	V _{SS}	Ground
3	V _{DD}	Power supply for logic
4	V _O	Contrast Adjustment
5	A0	Data/ Instruction select signal
6	E1	Enable signal
7	E2	Enable signal
8	DB0	Data bus line
9	DB1	Data bus line
10	DB2	Data bus line
11	DB3	Data bus line
12	DB4	Data bus line
13	DB5	Data bus line
14	DB6	Data bus line
15	DB7	Data bus line
16	R/W	Read/Write select signal
17	V _{EE}	Negative Voltage Output
18	NC	No connection

Mechanical Data

Item	Standard Value	Unit
Module Dimension	59.0 x 29.3	mm
Viewing Area	52.0 x 15.0	mm
Mounting Hole	50.0	mm
Dot Pitch	0.375 x 0.375	mm
Dot Size	0.345 x 0.345	mm

Electrical Characteristics

Item	Symbol	Standard Value	Unit
		typ.	
Input Voltage	VDD	5.0	V
Recommended LCD Driving Voltage for Normal Temp. Version module @25°C	VDD-VO	4.35	V