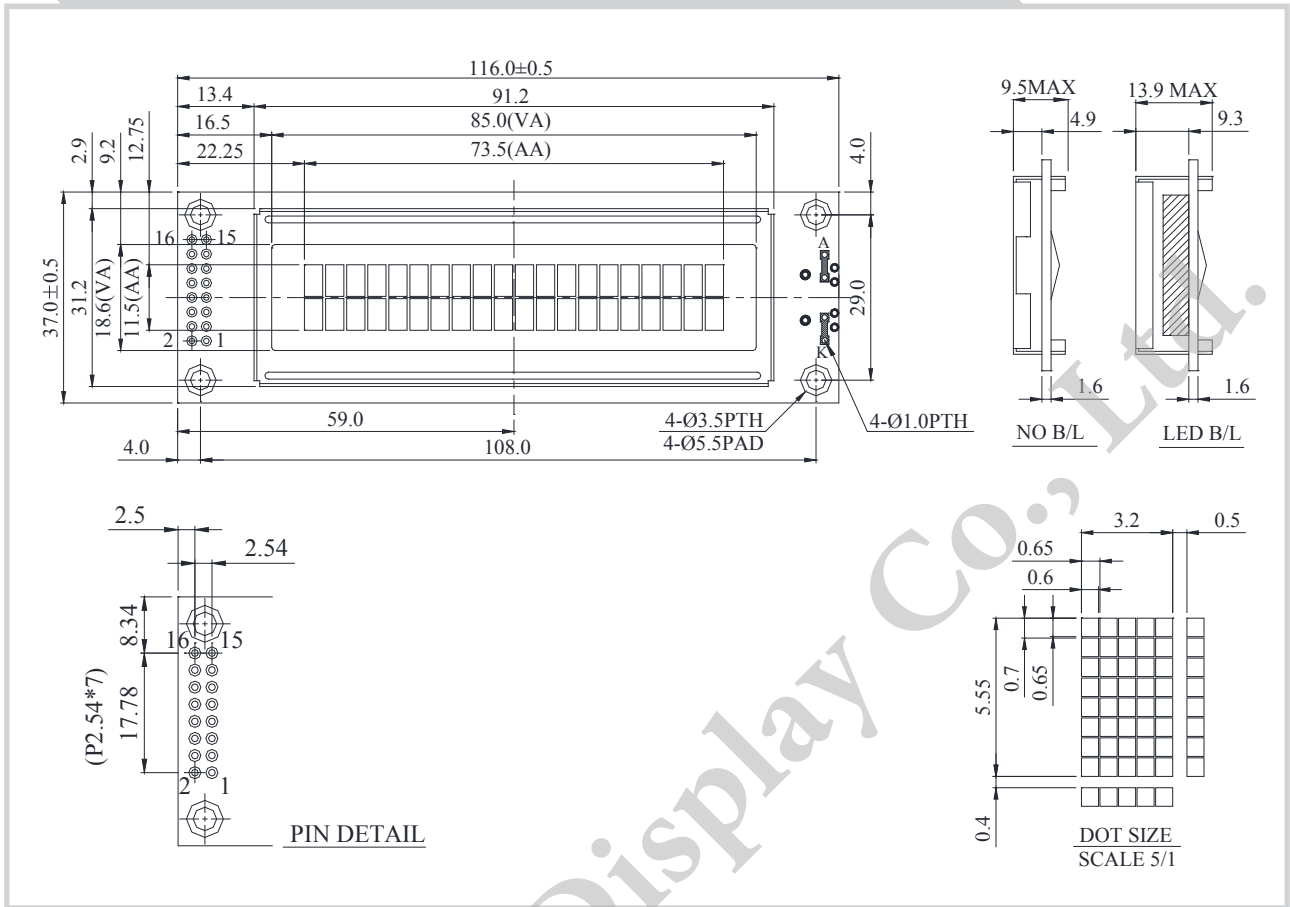


WH2002A Character 20x2



Feature

- 1.5x8 dots includes cursor
2. Built-in controller (ST7066 or Equivalent)
- 3.5V power supply (Also available for 3V)
4. N.V, optional for 3V power supply
5. 1/16 duty cycle
6. LED can be driven by PIN1, PIN2, PIN15, PIN16 or A and K
7. Interface : 6800, option SPI/I2C (RW1063 IC)

| Pin No. | Symbol | Description |
|---------|-----------------|---------------------------------|
| 1 | V _{SS} | Ground |
| 2 | V _{DD} | Power supply for logic |
| 3 | V _O | Contrast Adjustment |
| 4 | RS | Data/ Instruction select signal |
| 5 | R/W | Read/Write select signal |
| 6 | E | Enable signal |
| 7 | DB0 | Data bus line |
| 8 | DB1 | Data bus line |
| 9 | DB2 | Data bus line |
| 10 | DB3 | Data bus line |
| 11 | DB4 | Data bus line |
| 12 | DB5 | Data bus line |
| 13 | DB6 | Data bus line |
| 14 | DB7 | Data bus line |
| 15 | A | Power supply for B/L + |
| 16 | K | Power supply for B/L - |

Mechanical Data

| Item | Standard Value | Unit |
|------------------|----------------|------|
| Module Dimension | 116.0 x 37.0 | mm |
| Viewing Area | 85.0 x 18.6 | mm |
| Mounting Hole | 108.0 x 29.0 | mm |
| Character Size | 3.25 x 5.55 | mm |

Electrical Characteristics

| Item | Symbol | Standard Value | Unit |
|---|--------|----------------|------|
| | | typ. | |
| Input Voltage | VDD | 3/5 | V |
| Recommended LCD Driving Voltage for Normal Temp. Version module @25°C | VDD-VO | --- | V |

Display Character Address Code

Display position

| | | | | | | | | | | | | | | | |
|----------------|----|----|---|---|---|---|---|---|---|----|----|----|----|-----|----|
| DD RAM Address | 1 | 2 | 3 | 4 | 5 | 6 | 7 | 8 | 9 | 10 | 11 | 12 | 13 | --- | 20 |
| DD RAM Address | 00 | 01 | | | | | | | | | | | | | 13 |
| DD RAM Address | 40 | 41 | | | | | | | | | | | | | 53 |