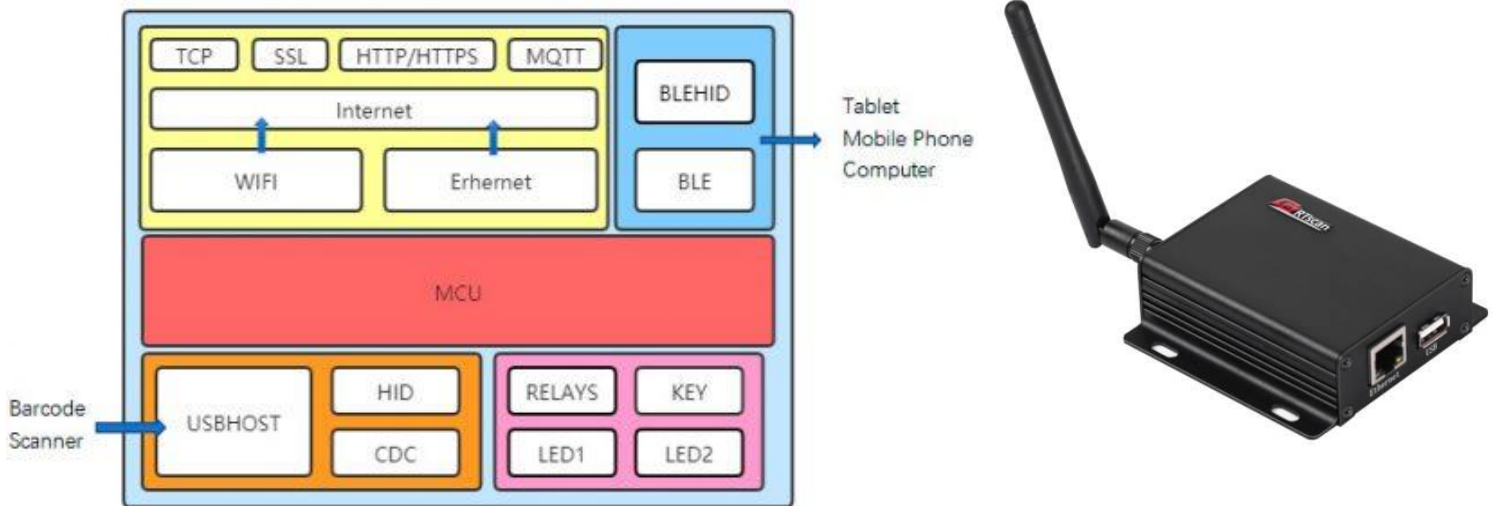




RT001 Module

WIFI & Ethernet & Bluetooth Kit For Barcode Scanner



RT001 is a network terminal for barcode scanner networking applications developed by RTSCAN, allowing the USB interface barcode scanner to connect to the network through WIFI/Ethernet, and transmit to cloud server through multiple protocols such as TCP, SSL, HTTP, MQTT, it also supports connect to the local devices via Bluetooth BLE and BLEHID.

The RT001 module is mainly composed of WIFI module + Ethernet module + USB HOST, the built-in relay can be used as a control board, which can directly control the opening and closing of the electromagnetic lock, and cooperate with the cloud access control system to saving installation and wiring costs, also shortening the time required for installation. It can be used for scanner data transmission, access control, docking cloud platform, IoT system and many other sectors.

| Support multiple transmission methods

- ◆ WIFI 2.4G
- ◆ Ethernet
- ◆ BLE 4.2

| Support multiple protocols

- ◆ TCP
- ◆ SSL
- ◆ HTTP/HTTPS
- ◆ MQTT

| USBHOST device

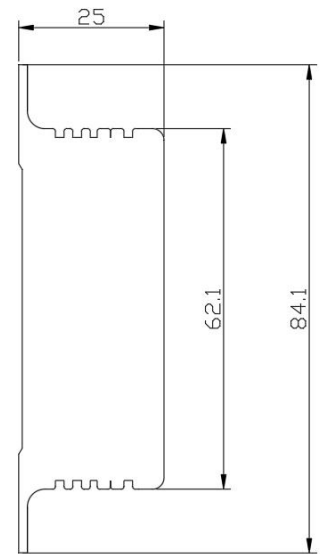
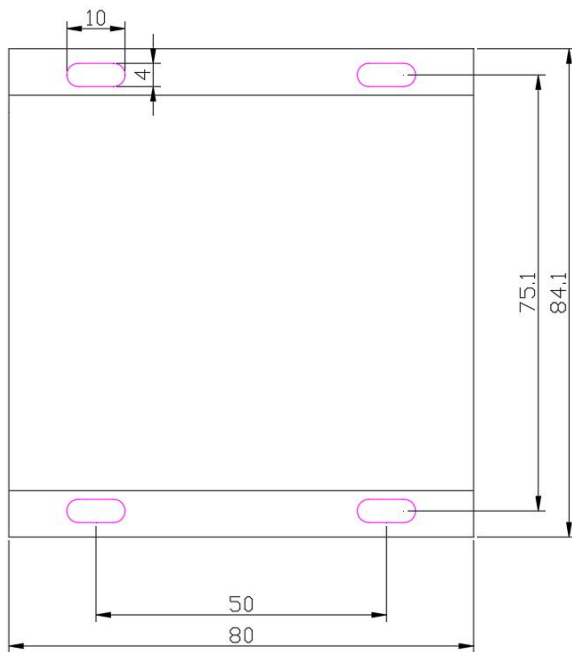
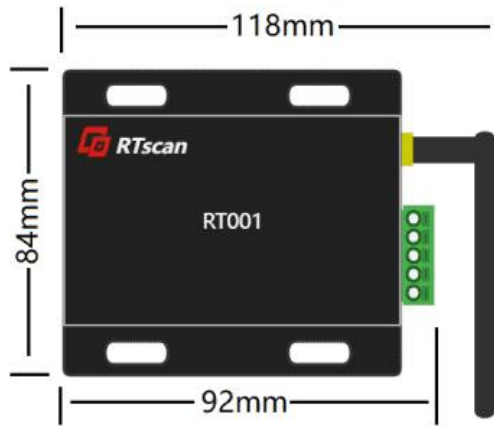
As a USB host device, it supports reading USB HID and USB CDC devices.

| Built-in relay

Built-in relay, which can be controlled by sending instructions through the platform.

| | | |
|---------------------------------|-----------------------|--|
| Performance | CPU | 240M |
| | RAM | 520K |
| | FLASH | 4M |
| | WIFI | 802.11 b/g/n |
| | ETHERNET | 802.3-2008 100Mbps |
| | BLE | BLE 4.2 |
| | Working Frequency | 2.4G |
| | Transmit Power | WIFI +4dB,BLE +10dB |
| | Transmission Distance | 300m in open space |
| | Supporting Protocols | TCP,SSL,HTTP/HTTPS,MQTT |
| | Output Method | WIFI/Ethernet/BLE/BLEHID |
| | Input Method | USB HID,USB CDC |
| Mechanical/ Electric | Dimensions | 92*84*25mm 118*84*25mm(with antenna) |
| | Weight/Material | |
| | Operating Voltage | 5v |
| | Operating Current | 240ma |
| | Communication | USB TYPEC,RJ45,USBA |
| Environmental | Operating Temperature | -20-80°C |
| | Humidity | 5%-95% (non-condensing, Environment temperature 30°C) |

Dimensions:



Function description:

1.Input Method

QRT001 is a USB HOST device, which reads the USB device inserted into the USB interface, and supports USB HID and USB CDC protocol scanner devices. It read the scanned data from HID keyboard, HID mode scanner, USB convert to serial port device, USB virtual serial mode scanner, and then pass-through to the server.

2.Output Method

RT001 can output to a remote server or mobile phone via WIFI, Ethernet, Bluetooth.

3.Supporting Protocols

RT001 supports multiple transmission protocols and can be transmitted to the server via TCP, SSL, HTTP/HTTPS, and MQTT.

TCP, standard socket communication, maintain a long connection with the server, pass-through the read USB device data to the server, and the server can also pass-through instructions to the USB device via this communication.

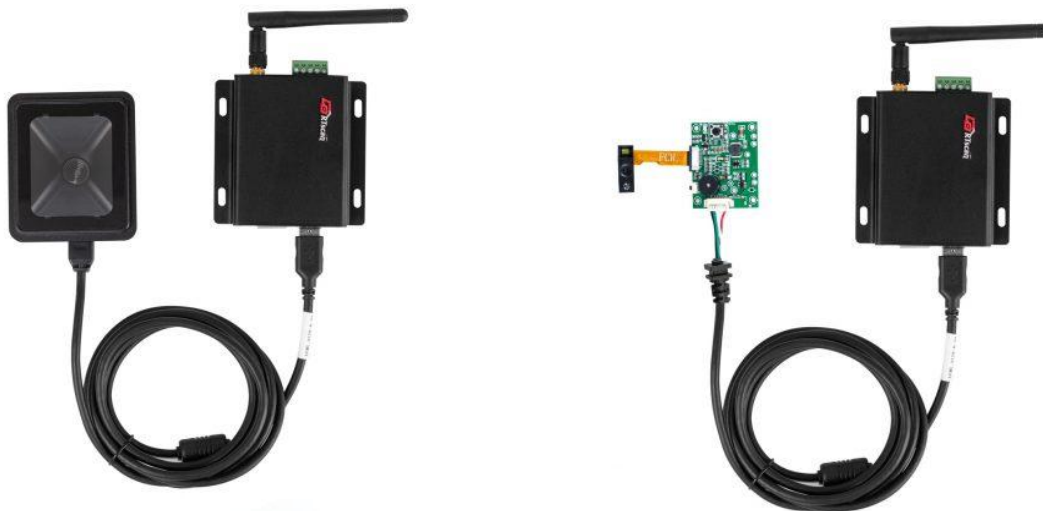
Supports SSL, TCP encrypted communication

HTTP/HTTPS, POST submits the read USB device data to the server.

MQTT supports any MQTT broker, the device subscribes and publishes a topic separately, pass-through the USB scanned data to the published topic, and pass-through the subscribe issued data to the USB device.

Application

RT001 is mainly used in the wireless transmission of barcode scanners, equipment access to the network, and the transformation of traditional USB scanner equipment. Access control system



Tel: +86 755-23762089



Website: www.rtscan.net

Email: info@rtscan.net

Add: 553-555, Dongming Building, Minzhi Street, Longhua District, Shenzhen 518109, China

Copyright RTscan Technology Limited all rights reserved. RTscan is a registered trademark of RTscan Technology Limited. All other trademarks are the property of their respective owners. In a continuing effort to improve our products, RTscan Technology Limited reserves the right to change specifications and features without prior notice.