



# RT234

## IP54 Industrial 2D Barcode Scanner



### | IP54-sealed Housing

The RT234 is environmentally sealed to an IP54 rating to prevent dust, moisture and other contaminant from entering it.

### | IR/Light Triggers

The combination of IR sensor and light sensor exhibits an improved sensitivity in activating the scanner to scan barcodes as they are presented, to achieve higher throughput and productivity.

### | Automatic Exposure Control (AEC)

The sensor in the RT234 automatically adjusts the supplementary lighting duration based on the light reflected off barcode.

### | Excellent reading performance

Great performance to read all types (PDF417, QR Code, Data Matrix, AZTEC, CSC, Maxicode, Micro QR, Micro PDF41) common 1D /2D bar codes, whatever read from paper or from phone screen.

### | Highly Visible Laser Aimer

The RT234 provides a laser-generated crosshair aiming pattern that is clear and bright even in bright sunlight, ensuring first time accurate aim.

### | 1.5m Drop Resistance

The scanner withstands multiple 1.5m drops to concrete (for six sides, three drops per side).

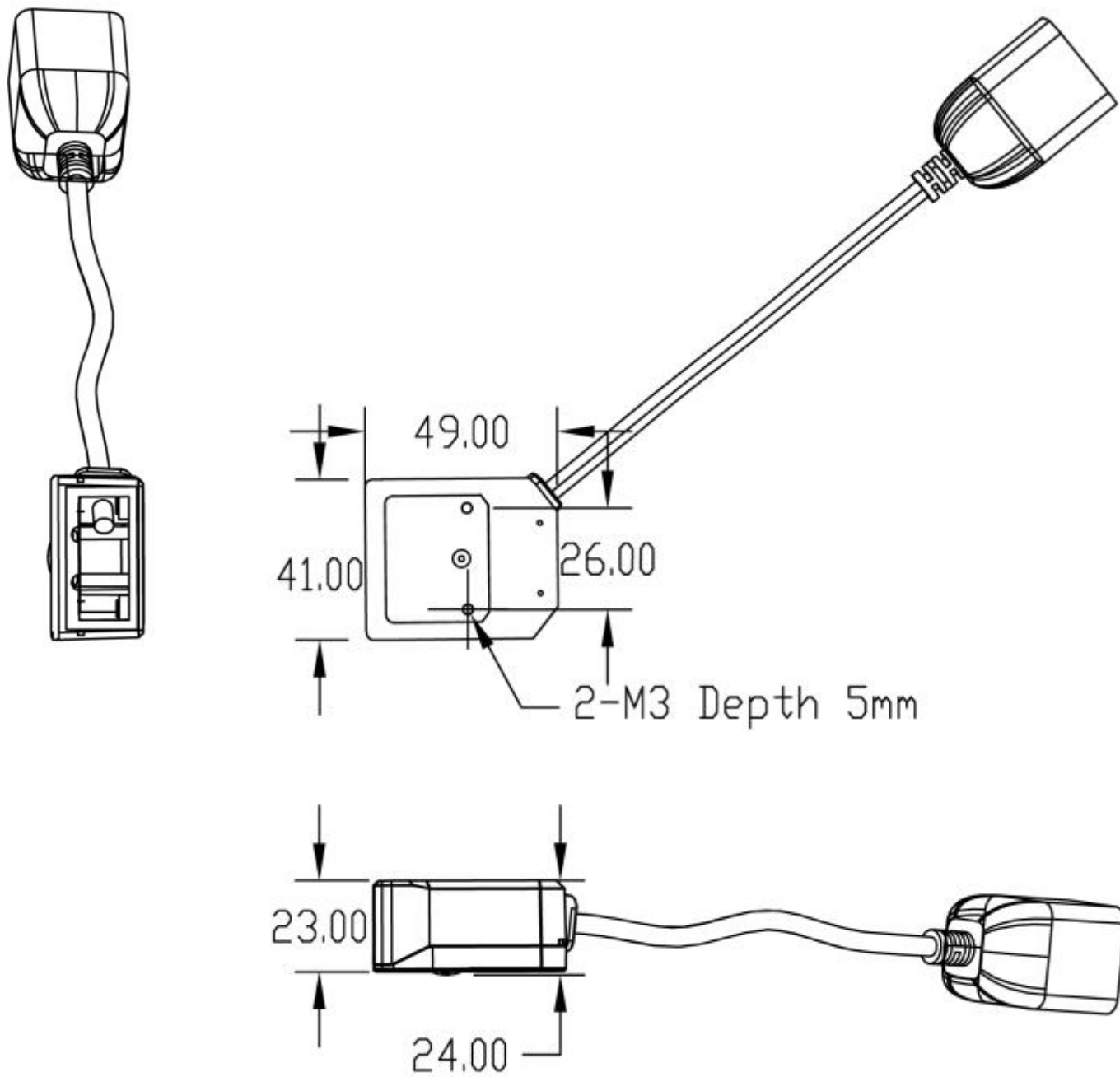
**Specification:**

<b>Performance</b>	Image Sensor	1280 *800 CMOS		
	Illumination Aiming	Red LED Cross Laser		
	Symbologies	2D	PDF417, QR Code, Data Matrix, AZTEC, CSC, Maxicode, Micro QR, Micro PDF417, GM, Code One, etc.	
		1D	EAN-13, EAN-8, UPC-A, UPC-E, Code 128, Code 39, Codabar, UCC/EAN 128, RSS, ITF, ITF-14, ITF6, Standard 25, Matrix 25, COOP 25, Industrial 25, Plessey, MSI Plessey, Code 11, Code 93, Code 49, Code 16K, etc.	
	Resolution	≥3mil		
	Typical Depth of Field	EAN-13	55-350mm (13mil)	
		Code 39	55-145mm (5mil)	
		PDF417	45-130mm (6.7mil)	
		Data Matrix	50-150mm (10mil)	
		QR Code	45-190mm (15mil)	
	Scan Mode	Sense mode, Continuous mode, Trigger mode		
	Scan Angle	Roll: 360°, Pitch: ±50°, Skew:±55°		
	Field of View	Horizontal 35°, Vertical 22°		
Min. Symbol Contrast	≥25%			
<b>Mechanical/ Electric</b>	Interface	RS-232, USB		
	Dimensions	41.5(W)×49.5(D)×24.5(H)mm		
	Weight	75g		
	Notification	Beep, LED indicator		
	Operating Voltage	5VDC±5%		
	Current @ 5VDC	Operating	214mA (typical), 269mA (max.)	
		Standby	82mA	
<b>Environmental</b>	Operating Temperature	-20°C to 60°C (-4°F to 140°F)		
	Storage Temperature	-40°C to 70°C (-40°F to 158°F)		
	Humidity	5% to 95% (non-condensing)		
	ESD	±14 kV (air discharge), ±8 kV (direct discharge)		
	Drop	1.5m		
	Sealing	IP54		
<b>Certifications</b>	FCC, CE, RoHS			
<b>Environmental (optional)</b>	Cable	USB	Used to connect the RT234 to a host device.	
		RS-232	Used to connect the RT234 to a host device.	
	Power Adapter	DC5V adapter to power the RT234 with RS-232 cable.		

- Application: Courier kiosks, self-service terminals, turnstiles, transportation, etc.



Dimension:



Tel: +86 755-23762089



Website: [www.rtscan.net](http://www.rtscan.net) Email: [info@rtscan.net](mailto:info@rtscan.net)

553-555, Dongming Building, Minzhi Street, Longhua District, Shenzhen 518109, China

Copyright RTscan Technology Limited all rights reserved. RTscan is a registered trademark of RTscan Technology Limited. All other trademarks are the property of their respective owners. In a continuing effort to improve our products, RTscan Technology Limited reserves the right to change specifications and features without prior notice.