



RT242

Ultra Thin Fixed Mount Barcode Scanner



The RT242 series fixed mount scanners are outstanding at **super thin design**: only 2cm in thickness. In addition, they are also easy mounting designed, with a bracket available optionally; and also powered with high-performance scan engine inside, which enables them to read most 1d and 2d bar codes excellently.

Suitable for all kinds of terminals:

ATM, Locker, Kiosks, Express cabinets, Ticket gates, and other types of self-service terminals.

In order to meet the different needs of different applications, we developed the RT242 series with three versions in terms of reading distance: RT242-SR is a standard range barcode scanner, RT242-SD is short distance barcode scanner, and RT242-ER is a long-range/extended range barcode scanner.

| Compact and Super Thin Design

The miniature size, lightweight facilitates the integration of the barcode scanner RT242 into a wide variety of thin-and-light equipment.



| Four Versions Available for Different Distance.

RT242 includes 3 versions:

RT242-SR: standard range barcode scanner.

RT242-SD: reads barcodes from a short distance.

RT242-ER: reads barcodes from a longer distance.

| Easy Mounting Design

The RT242 comes with an (optional) mounting bracket which enables you to embed the scanner with your devices very easily. It facilitates your design and saves your development time.



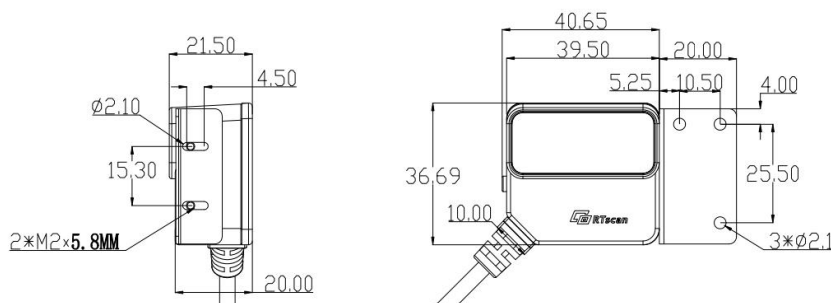
| Excellent Bar Code Reading Performance

Great performance to read most types of common 1D and 2D bar codes from paper and phone screens. This scan engine can also easily read even poor-quality barcodes: damaged barcodes, low-contrast barcodes, torn barcodes, and warped or wrinkled barcodes.

Specification:

	Version	Description	Example	
Three Versions Available	RT242-SR	Standard Range: For usual/ common distance barcode reading	EAN-13 60-350mm (13mil) Code 39 40-150mm (5mil) PDF417 50-125mm (6.7mil) Data Matrix 45-120mm (10mil) QR Code 30-170mm (15mil)	
	RT242-ER	Extended Range: Able to read bar codes from a longer distance	EAN-13 105mm-680mm Code 39 120mm-260mm(5mil) Code 39 65mm-800mm(20mil) Code 128 115mm-1400mm(40mil) QR Code 80mm-250mm (15mil)	
	RT242-SD	Short Distance: Able to read bar codes from a short distance	PDF417 25mm-45mm(6.7mil) Code 39 25mm-50mm(5mil) Data Matrix 25mm-45mm (10mil) QR Code 20mm-60mm (15mil)	
Performance	Image Sensor	640 * 480 CMOS		
	Illumination Aiming	White LED RT242-SR/RT242-SD: Red LED 625nm; RT242-ER: 650nm Laser		
	Symbologies	2D	PDF417, QR Code, Micro QR, Data Matrix	
		1D	EAN-13, EAN-8, UPC-A, UPC-E, Code128, Code 39, Codabar, UCC/ EAN128, ITF-14, ITF6, Standard 2 of 5, Matrix 2 of 5, Industrial 2 of 5, Plessey, MSI Plessey, Code 11, Code 93, etc.	
	Resolution	3mil(1D) , 6.7mil(2D)		
	Field of View	RT242-SR	RT242-SD	RT242-ER
		Horizontal 42° Vertical 31.6°	Horizontal 68° Vertical 51°	Horizontal 28° Vertical 21°
	Scan Angle	RT242-SR	RT242-SD	RT242-ER
		Roll: 360°, Pitch: ±60°, Skew: ±60°	Roll: 360°, Pitch: ±50°, Skew: ±50°	Roll: 360°, Pitch: ±60°, Skew: ±60°
	Scan Mode	Sense mode, Continuous mode, Command trigger		
Min. Symbol Contrast	25%			
Mechanical/ Electric	Interface	USB or RS232		
	Dimensions	40.65(W)×20(D)×35.7(H) mm (max.)		
	Notification	Beep, LED indicator		
	Operating Voltage	5 VDC ± 5%		
	Current @ 3.3VDC	Trigger mode: operating : 160mA; standby: 25.5mA; peak (power on): 360mA Sense mode: operating : 160mA; standby: 124.5mA; peak (power on): 360mA		
Environmental	Operating Temperature	-20°C to 55°C		
	Storage Temperature	-40°C to 70°C		
	Humidity	5% to 95% (non-condensing)		

Mechanical mounting dimensions (unit: mm)



Tel: +86 755-23762089



Website: www.rtscan.net Email: sales@rtscan.net

553-555, Dongming Building, Minzhi Street, Longhua District, Shenzhen 518109, China

Copyright RTscan Technology Limited all rights reserved. RTscan is a registered trademark of RTscan Technology Limited. All other trademarks are the property of their respective owners. In a continuing effort to improve our products, RTscan Technology Limited reserves the right to change specifications and features without prior notice.